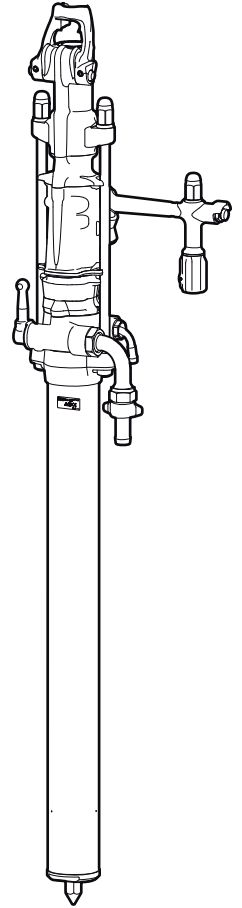


Spare parts list

Stopers



	MASKINSALG ^{A/S} UTSTYR FOR INDUSTRI OG ANLEGG Blindheimsveien 1, 5131 Nyborg www.maskinsalg.com SALG - SERVICE - UMLEIE Tlf. 55 19 96 20
---	--

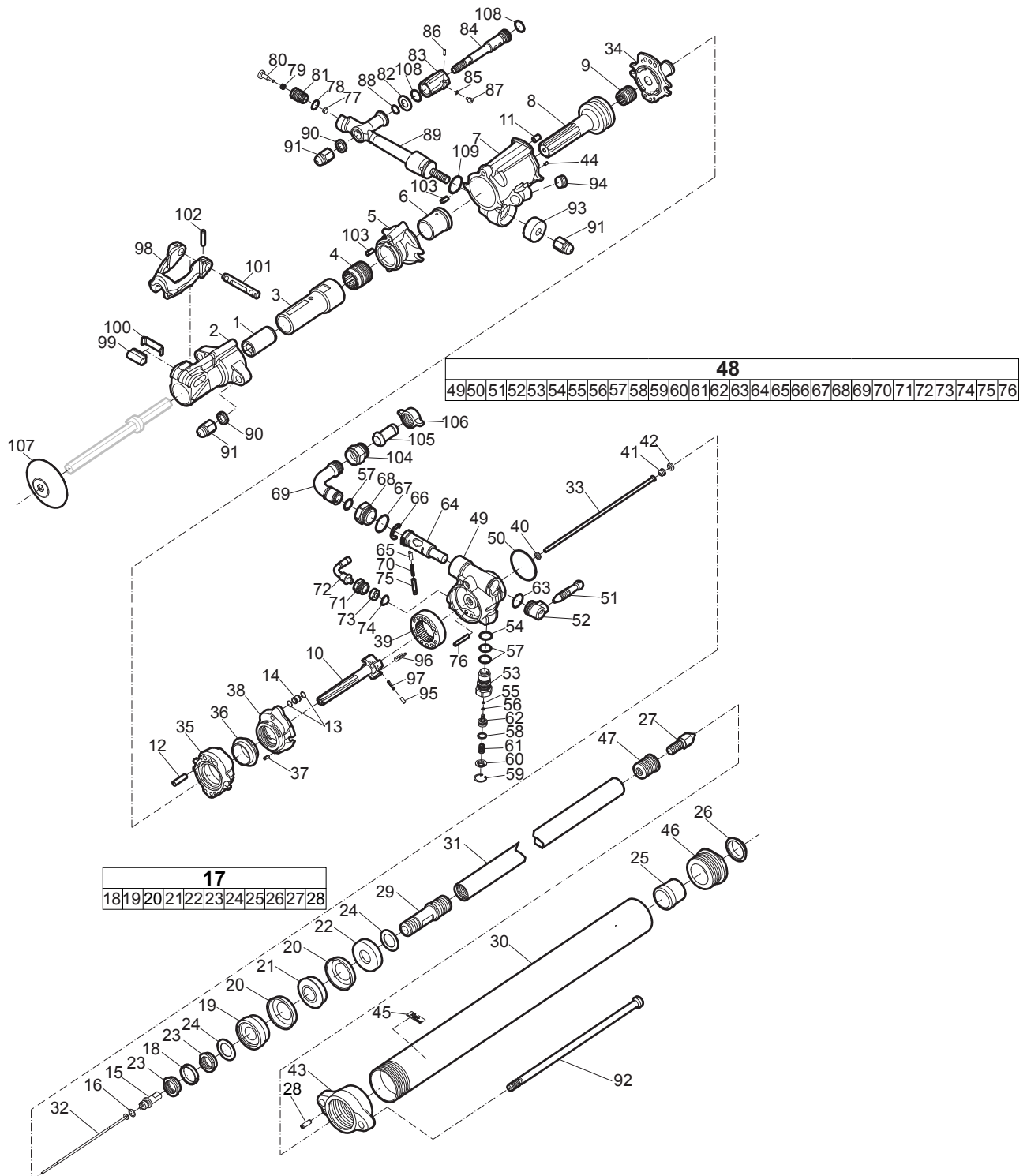


Contents

Spare parts list	4
BBC 34WS-6 - 8311 0104 03	4
BBC 34WS-8 - 8311 0104 04	8
Accessories	12
Accessories	12
Kits	13
Seal kit - 3121 5000 46	13

Spare parts list

BBC 34WS-6 - 8311 0104 03

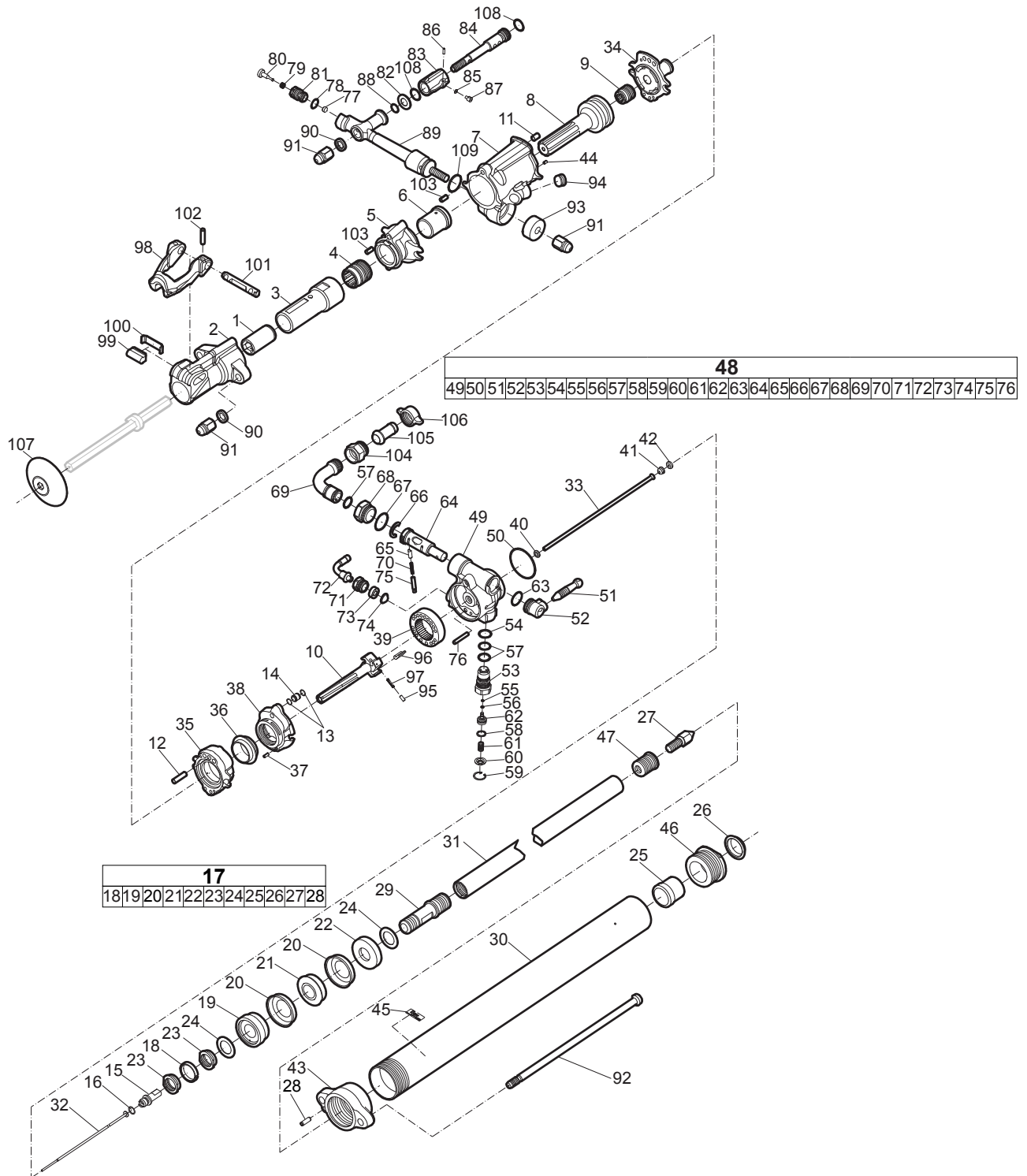


No.	Description	Remark	Quantity	Part number
1	Rotation chuck bushing		1	3121 0824 00
2	Front head		1	3115 1171 00
3	Rotation chuck		1	3121 0826 00
4	Guide nut		1	3115 1220 00
5	Intermediate part		1	3121 0751 00
6	Bushing		1	3121 0752 00
7	Cylinder		1	3121 0755 00
8	Piston		1	3121 0767 00
9	Rifle nut		1	3121 0754 00
10	Rifle bar		1	3121 0626 00
11	Pipe		1	3115 1146 00
12	Pipe		1	3115 1145 00
13	O-ring	13.1 x 1.6 mm	2	0663 6120 00
14	Pipe		1	3121 0673 00
15	Adapter		1	3115 0534 00
16	O-ring	15.3 x 2.4 mm	1	0663 2122 00
17(18-28)	Feed kit		1	3115 0555 80
18	Brake ring		1	3132 0018 00
19	Piston		1	3115 0553 00
20	Packing		2	3132 0173 00
21	Back-up ring		1	3115 0916 00
22	Piston		1	3115 0915 00
23	Nut		2	3122 0169 00
24	Washer		2	3115 0554 00
25	Bushing		1	3115 0542 00
26	Packing		1	3132 0171 00
27	Spike		1	3132 0020 00
28	Spring pin		1	0108 3389 00
29	End piece		1	3115 0559 00
30	Cylinder tube		1	3115 0555 00
31	Tube		1	3115 1401 00
32	Flushing tube		1	3121 0460 00
33	Flushing tube		1	3121 0801 00
34	Rifle bar bearing		1	3121 0756 00
35	Valve housing		1	3121 0757 00
36	Slide		1	3121 0758 00
37	Spring pin		1	0108 1322 00
38	Valve housing cover		1	3121 0759 00
39	Ratchet ring		1	3115 1143 00
40	Rubber packing		1	3000 0121 00
41	Guide ring extended		1	3121 0776 00
42	Rubber packing		1	3100 9646 00
43	Gland		1	3115 1137 00
44	Spring pin		1	0108 1319 00
45	Data plate		1	-
46	End piece		1	3115 1644 00
47	End piece		1	3115 0557 00
48(49-76)	Control housing kit		1	3115 1136 80
49	Back head		1	3115 1136 00
50	O-ring	74.5 x 3 mm	1	0663 6139 00
51	Handle		1	3115 0496 00
52	Handle housing		1	3115 0495 00
53	Plug		1	3115 1974 00

No.	Description	Remark	Quantity	Part number
54	O-ring	24.2 x 3 mm	1	0663 2127 00
55	X-ring		1	3115 0139 00
56	X-ring		1	3115 0140 00
57	O-ring	26.2 x 3 mm	3	0663 2128 00
58	X-ring		1	3115 0036 00
59	Circlip		1	0335 2130 00
60	Cup		1	3115 0135 00
61	Compress spring		1	3115 2242 00
62	Piston		1	3115 0133 00
63	O-ring	29.2 x 3 mm	1	0663 2129 00
64	Throttle valve		1	3115 1144 00
65	Pawl pin		1	3121 0779 00
66	Washer		1	3121 0861 00
67	O-ring	39.2 x 3 mm	1	0663 2133 00
68	Adapter		1	3121 0860 00
69	Inlet nipple		1	3121 0859 00
70	Compress ring		1	3115 0493 00
71	Adapter		1	3121 0857 00
72	Nipple		1	3121 0854 00
73	Rubber packing		1	3100 9653 00
74	Strainer		1	3121 0501 00
75	Plug		1	3115 0539 00
76	Pin		1	0102 0373 00
77	Valve body		1	3131 0009 00
78	O-ring	19.2 x 3 mm	1	0663 2125 00
79	Compress spring		1	3115 0544 00
80	Valve pin		1	3131 0008 00
81	Sleeve		1	3115 0546 00
82	Washer		1	3115 0549 00
83	Knob		1	3115 0550 00
84	Pin		1	3115 0552 00
85	O-ring	5.3 x 2.4 mm	1	0663 2112 00
86	Spring pin		1	0108 1238 00
87	Stop pin		1	3115 0551 00
88	O-ring	17.3 x 2.4 mm	1	0663 2124 00
89	Turning lever		1	3115 1142 00
90	Washer		3	3115 1067 00
91	Nut		4	3121 0872 00
92	Side bolt		2	3121 0835 00
93	Washer		1	3115 1147 00
94	Plug		2	3121 0707 00
95	Plunger pin		4	3100 9641 01
96	Pawl		4	3101 3159 00
97	Compress spring		4	3100 9140 02
98	Drill retainer		1	3121 0851 00
99	Rubber buffer		1	3121 0030 00
100	Buffer plate		1	3121 0029 00
101	Retainer pin		1	3115 2925 00
102	Spring pin		2	0108 3392 00
103	Spring pin		2	3115 1417 00
104	Adapter		1	3000 5825 03
105	Hose nipple		1	9000 0326 00
106	Wing nut		1	9000 0339 00

No.	Description	Remark	Quantity	Part number
107	Rubber hood		1	3121 5000 12
108	O-ring	24.2 x 3 mm	2	0663 2127 00
109	O-ring	39.2 x 3 mm	1	0663 2133 00

BBC 34WS-8 - 8311 0104 04



No.	Description	Remark	Quantity	Part number
1	Rotation chuck bushing		1	3121 0824 00
2	Front head		1	3115 1171 00
3	Rotation chuck		1	3121 0826 00
4	Guide nut		1	3115 1220 00
5	Intermediate part		1	3121 0751 00
6	Bushing		1	3121 0752 00
7	Cylinder		1	3121 0755 00
8	Piston		1	3121 0767 00
9	Rifle nut		1	3121 0754 00
10	Rifle bar		1	3121 0626 00
11	Pipe		1	3115 1146 00
12	Pipe		1	3115 1145 00
13	O-ring	13.1 x 1.6 mm	2	0663 6120 00
14	Pipe		1	3121 0673 00
15	Adapter		1	3115 0534 00
16	O-ring	15.3 x 2.4 mm	1	0663 2122 00
17(18-28)	Feed kit		1	3115 0555 80
18	Brake ring		1	3132 0018 00
19	Piston		1	3115 0553 00
20	Packing		2	3132 0173 00
21	Back-up ring		1	3115 0916 00
22	Piston		1	3115 0915 00
23	Nut		2	3122 0169 00
24	Washer		2	3115 0554 00
25	Bushing		1	3115 0542 00
26	Packing		1	3132 0171 00
27	Spike		1	3132 0020 00
28	Spring pin		1	0108 3389 00
29	End piece		1	3115 0559 00
30	Cylinder tube		1	3115 0659 00
31	Tube		1	3115 1402 00
32	Flushing tube		1	3121 0460 00
33	Flushing tube		1	3121 0801 00
34	Rifle bar bearing		1	3121 0756 00
35	Valve housing		1	3121 0757 00
36	Slide		1	3121 0758 00
37	Spring pin		1	0108 1322 00
38	Valve housing cover		1	3121 0759 00
39	Ratchet ring		1	3115 1143 00
40	Rubber packing		1	3000 0121 00
41	Guide ring extended		1	3121 0776 00
42	Rubber packing		1	3100 9646 00
43	Gland		1	3115 1137 00
44	Spring pin		1	0108 1319 00
45	Data plate		1	-
46	End piece		1	3115 1644 00
47	End piece		1	3115 0557 00
48(49-76)	Control housing kit		1	3115 1136 80
49	Back head		1	3115 1136 00
50	O-ring	74.5 x 3 mm	1	0663 6139 00
51	Handle		1	3115 0496 00
52	Handle housing		1	3115 0495 00
53	Plug		1	3115 1974 00

No.	Description	Remark	Quantity	Part number
54	O-ring	24.2 x 3 mm	1	0663 2127 00
55	X-ring		1	3115 0139 00
56	X-ring		1	3115 0140 00
57	O-ring	26.2 x 3 mm	3	0663 2128 00
58	X-ring		1	3115 0036 00
59	Circlip		1	0335 2130 00
60	Cup		1	3115 0135 00
61	Compress spring		1	3115 2242 00
62	Piston		1	3115 0133 00
63	O-ring	29.2 x 3 mm	1	0663 2129 00
64	Throttle valve		1	3115 1144 00
65	Pawl pin		1	3121 0779 00
66	Washer		1	3121 0861 00
67	O-ring	39.2 x 3 mm	1	0663 2133 00
68	Adapter		1	3121 0860 00
69	Inlet nipple		1	3121 0859 00
70	Compress ring		1	3115 0493 00
71	Adapter		1	3121 0857 00
72	Nipple		1	3121 0854 00
73	Rubber packing		1	3100 9653 00
74	Strainer		1	3121 0501 00
75	Plug		1	3115 0539 00
76	Pin		1	0102 0373 00
77	Valve body		1	3131 0009 00
78	O-ring	19.2 x 3 mm	1	0663 2125 00
79	Compress spring		1	3115 0544 00
80	Valve pin		1	3131 0008 00
81	Sleeve		1	3115 0546 00
82	Washer		1	3115 0549 00
83	Knob		1	3115 0550 00
84	Pin		1	3115 0552 00
85	O-ring	5.3 x 2.4 mm	1	0663 2112 00
86	Spring pin		1	0108 1238 00
87	Stop pin		1	3115 0551 00
88	O-ring	17.3 x 2.4 mm	1	0663 2124 00
89	Turning lever		1	3115 1142 00
90	Washer		3	3115 1067 00
91	Nut		4	3121 0872 00
92	Side bolt		2	3121 0835 00
93	Washer		1	3115 1147 00
94	Plug		2	3121 0707 00
95	Plunger pin		4	3100 9641 01
96	Pawl		4	3101 3159 00
97	Compress spring		4	3100 9140 02
98	Drill retainer		1	3121 0851 00
99	Rubber buffer		1	3121 0030 00
100	Buffer plate		1	3121 0029 00
101	Retainer pin		1	3115 2925 00
102	Spring pin		2	0108 3392 00
103	Spring pin		2	3115 1417 00
104	Adapter		1	3000 5825 03
105	Hose nipple		1	9000 0326 00
106	Wing nut		1	9000 0339 00

No.	Description	Remark	Quantity	Part number
107	Rubber hood		1	3121 5000 12
108	O-ring	24.2 x 3 mm	2	0663 2127 00
109	O-ring	39.2 x 3 mm	1	0663 2133 00

Accessories

Accessories

Description	Remark	Quantity	Part number
Compressed air hose, fitted with couplings	25 mm (1")	1	9030 2051 00
Water flushing hose fitted with couplings	12.5 mm (½")	1	9030 2069 00
Lubricator			
BLG 30, for mineral oil		1	8202 5102 05
CLG 30, for both mineral and synthetic oil		1	8202 5102 39
Water separator			
VAM 5A	airflow <120 l/s (254 cfm)	1	8092 0110 82
Air line accessories for 25 mm (1")			
Rubber hose	30 m	1	9030 2041 00
Claw coupling		1	9000 0313 00
Two-piece hose clamp		1	9000 0197 00
Pressure gauge for compressed air and water pressure			
Gauge		1	9090 0550 80
Extra needle set		1	9090 0678 90
Chuck bushing gauge	22 mm (7/8") hexagon shank	1	3091 0038 00
Anti vibration gloves			
Size L		1	9800 0434 01
Size XL		1	9800 0435 01

Kits

Seal kit - 3121 5000 46

Description	Remark	Quantity	Part number
Seal kit		1	3121 5000 46
O-ring	5.3 x 2.4 mm	1	0663 2112 00
O-ring	15.3 x 2.4 mm	1	0663 2122 00
O-ring	17.3 x 2.4 mm	1	0663 2124 00
O-ring	19.2 x 3 mm	1	0663 2125 00
O-ring	24.2 x 3 mm	3	0663 2127 00
O-ring	26.2 x 3 mm	3	0663 2128 00
O-ring	29.2 x 3 mm	1	0663 2129 00
O-ring	39.2 x 3 mm	2	0663 2133 00
O-ring	13.1 x 1.6 mm	2	0663 6120 00
O-ring	74.5 x 3 mm	1	0663 6139 00
Packing		1	3000 0121 00
Packing		1	3000 9646 00
Packing		1	3100 9653 00
Packing		2	3132 0173 00



Unauthorized use or copying of all or part of the contents is prohibited. This specifically applies to trademarks, model designations, parts numbers and drawings.

	MASKINSALG A/S UTSTYR FOR INDUSTRI OG ANLEGG Blindheimsveien 1, 5131 Nyborg www.maskinsalg.com SALG - SERVICE - UMLEIE Tlf. 55 19 96 20
---	--

© 2008 Atlas Copco Construction Tools AB | No. 9800 0830 01 | 2008-11-28

www.atlascopco.com