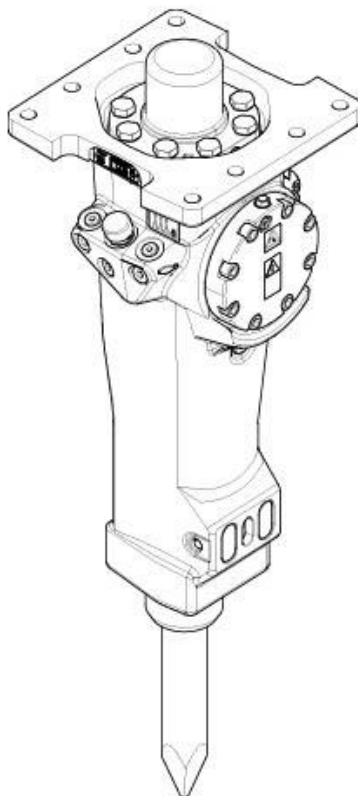


SB 152

Spare parts list Hydraulic breakers

SB 152 s/n BES043707 –



General information

This spare parts list applies to the following:

Part number	Description
8460030040	SB 152

Use only authorized parts. Any damage or malfunction caused by the use of unauthorized parts is not covered by Warranty or Product Liability. Any unauthorized use or copying of the contents or any part thereof is prohibited. This applies in particular to trademarks, model denominations, part numbers, and drawings.

Instructions for use

This spare parts list contains no safety regulations and is merely intended to assist in the ordering of spare parts.

For information about operating, servicing, or repairing, the relevant Safety and operating instructions must be consulted at all costs.

Please observe the safety instructions listed in the relevant Safety and operating instructions!

Service, repair and wear part kits

Label kit 1
Seal kit 3
Lower hammer part kit 5
Accumulator repair kit 7

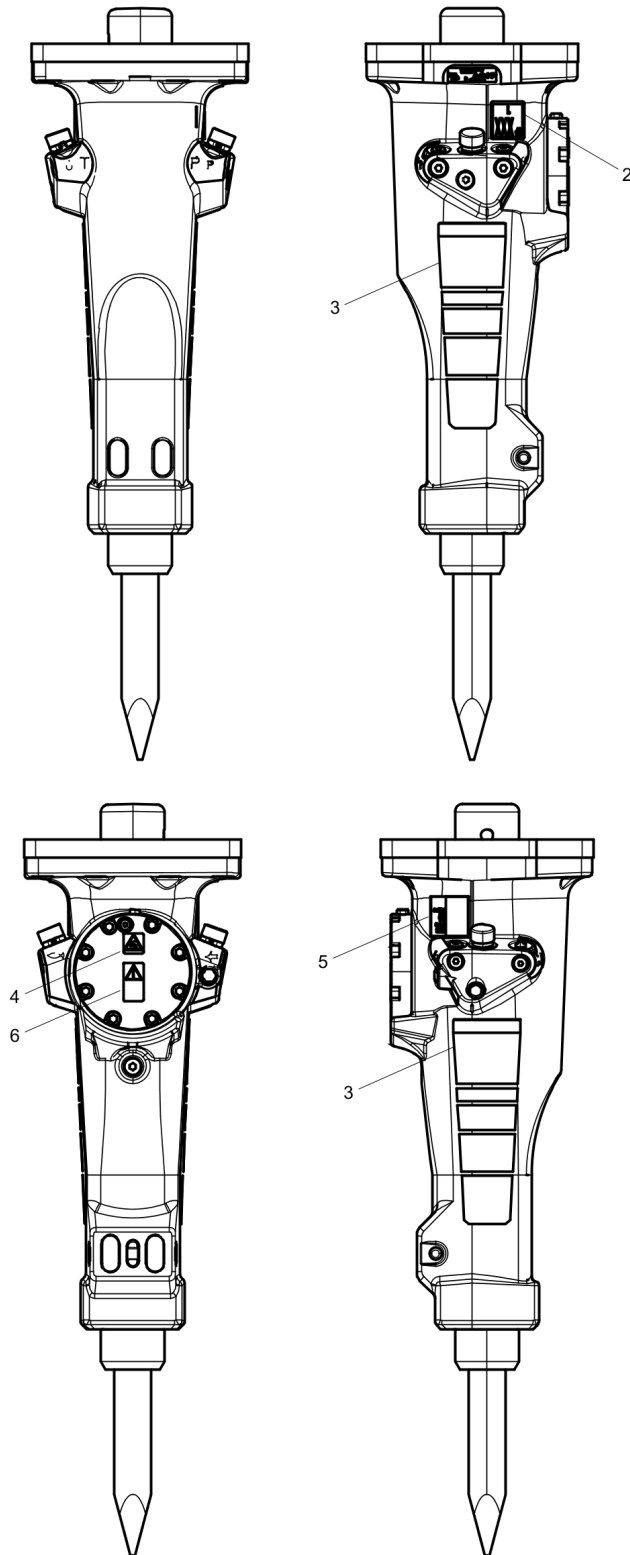
Mechanical

Spare parts list 9
HATCON (Horizontal) 12
Optional parts - Bushing oversize, complete 15
Optional parts - Restrictor, complete 17
Tightening torque 19
Dimensions (mm) 21

Options/accessories

Retrofit 22
Working tools ClassicLine 25
Working tools ProLine 27
Optional equipment 29
Hydraulic hoses 31

Service, repair and wear part kits Label kit



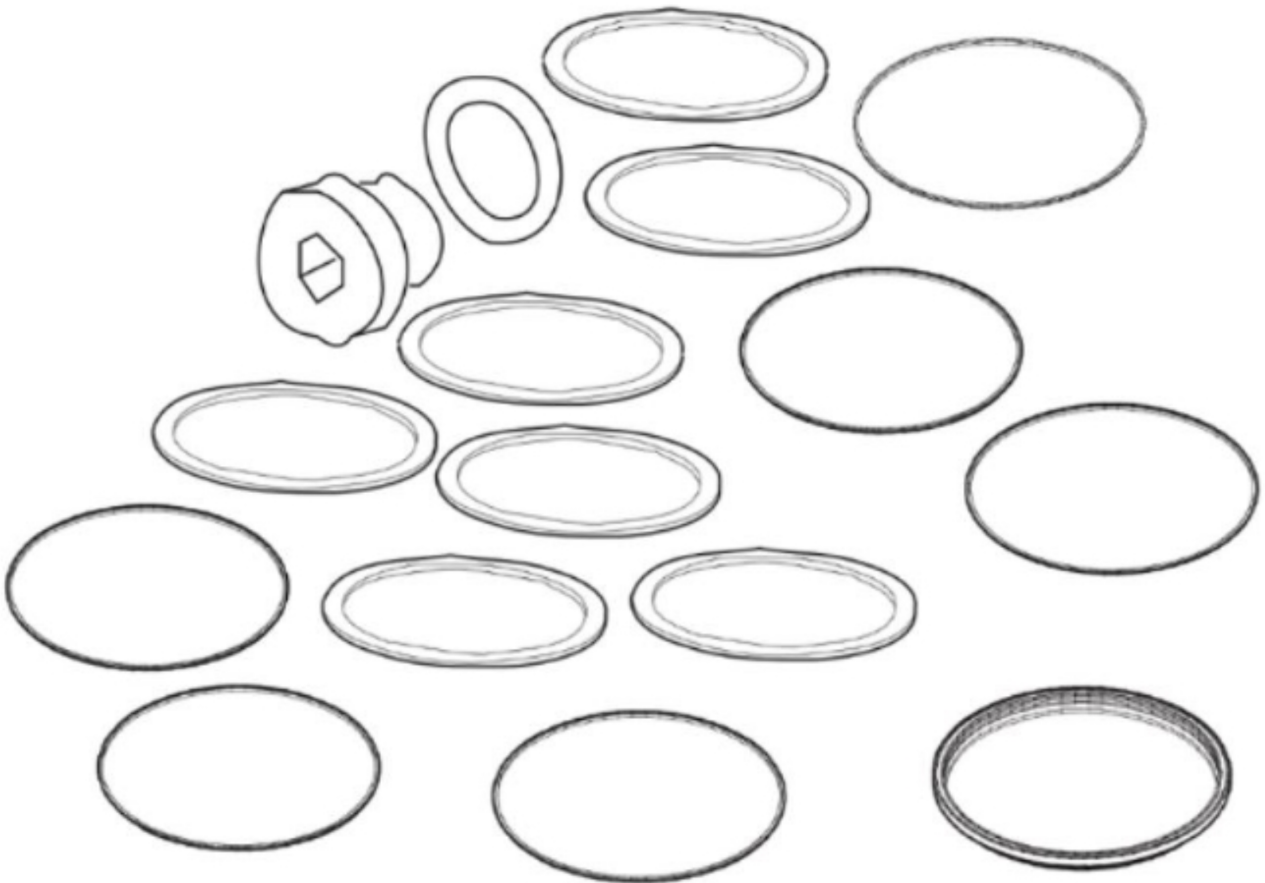
Item	Part No.	Name	Qty	L
1	3315290591	Label kit	1	
2	--	Sound power label	1	
3	--	Product label	2	A
4	--	Safety label	1	
5	--	AEM sign	1	
6	--	Safety label	1	

Comments for Page: Label kit

(L)OCAL REMARKS

A | "SB 152"

Service, repair and wear part kits Seal kit

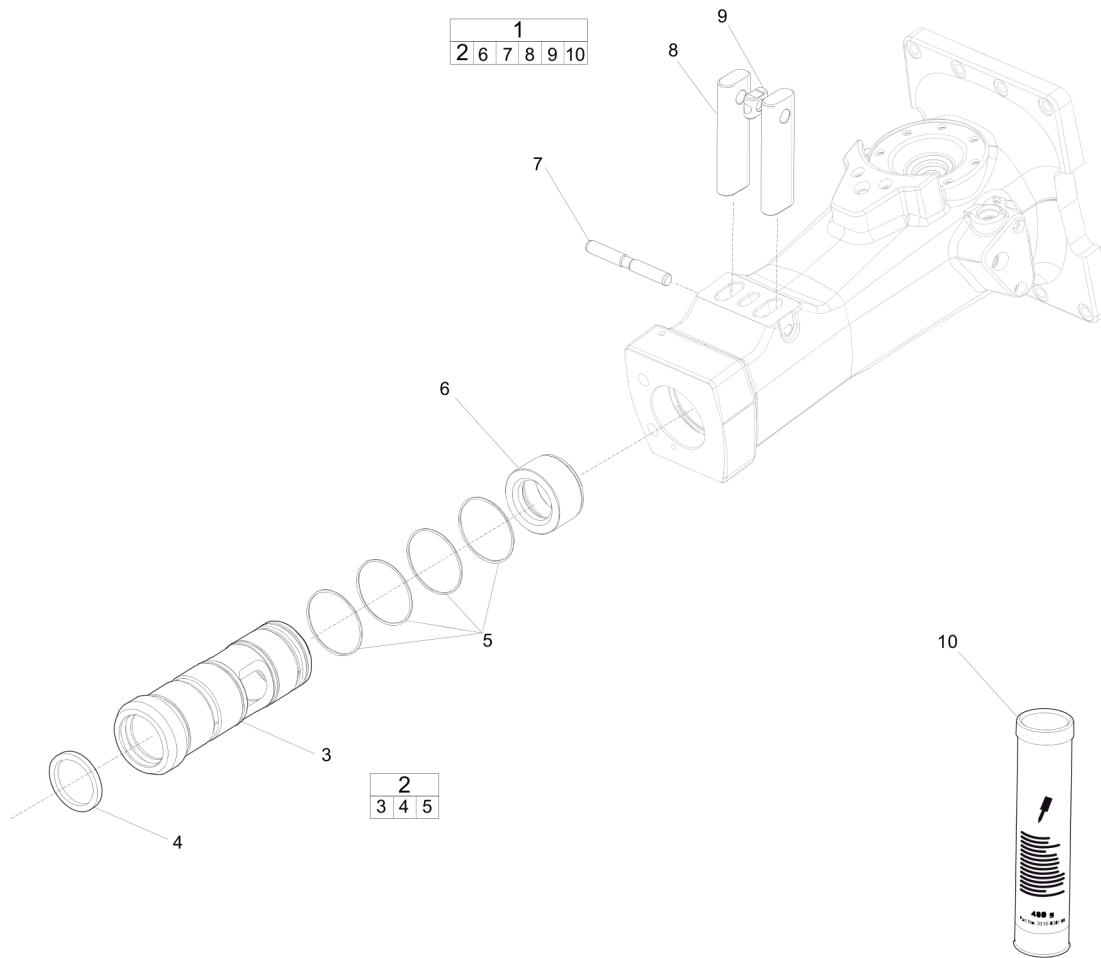


Item	Part No.	Name	Qty	L
1	3315290590	Seal kit	1	
-	3315356400	Scraper ring	1	
-	0663210289	O-ring, 64.5 x 3 mm (90 shore), 2.53 x 0.12 in.	4	
-	0661100024	SEAL WASHER	1	
-	3115329002	SEAL RING	1	
-	0663212000	O-RING	1	
-	0663211400	O-RING	1	
-	0664000003	Seal ring	2	
-	0663905501	O-RING	2	
-	0663211424	O-ring, 31.2 x 3 mm , 1.23 x 0.12 in. (90 shore)	1	
-	0665090014	SEAL RING	2	
-	0663903201	O-RING	2	
-	0663905401	O-ring, 10.82 x 1.78 mm , 0.43 x 0.07 in. (90 shore)	2	
-	0665909954	Wiper	1	
-	0665070131	Piston rod seal	1	
-	0663210053	O-RING	4	
-	0665070132	Piston rod seal	1	
-	0663211456	O-ring, 86 x 3 mm (90 shore), 3.39 x 0.12 in.	5	
-	3315280800	VALVE RUBBER	1	
-	0663211490	O-ring, 31. 2 x 3 mm, 1.23 x 0.12 in.	2	
-	0663210631	O-RING	1	
-	3315305000	Plug	1	

Refer to the DocMine web page for most up-to-date information. The printed information might be outdated.

Tue Mar 10 10:06:12 UTC 2020

Service, repair and wear part kits Lower hammer part kit



Item	Part No.	Name	Qty	L
1	3315352140	Lower hammer part kit	1	
2	3315353980	Bushing standard, complete	1	
3	---	Bushing	1	
4	3315296400	Scraper ring	1	
5	0663210289	O-ring, 64.5 x 3 mm (90 shore), 2.53 x 0.12 in.	4	
6	3315291800	Stop ring	1	
7	3315293000	Lock pin	1	
8	3315147000	Retainer bar	2	
9	3315141900	LOCK BUFFER	1	
10	--	Chisel paste cartridge	1	A

Comments for Page: Lower hammer part kit

(L)OCAL REMARKS

A | 400 g

Service, repair and wear part kits Accumulator repair kit

NO EXPLODED VIEW
AVAILABLE
FOR THIS BOM

Item	Part No.	Name	Qty	L
1	3315282490	Accumulator repair kit	1	
-	3315293300	Coil spring	1	
-	3315288900	Diaphragm support	1	
-	3315289000	Diaphragm	1	
-	0211196534	HEX SOCK. SCREW	8	A
-	0686371805	PLUG	1	B
-	3115329002	SEAL RING	1	
-	0663212000	O-RING	1	
-	3315366000	VALVE	1	
-	0663211400	O-RING	1	
-	0101414000	PIN	1	

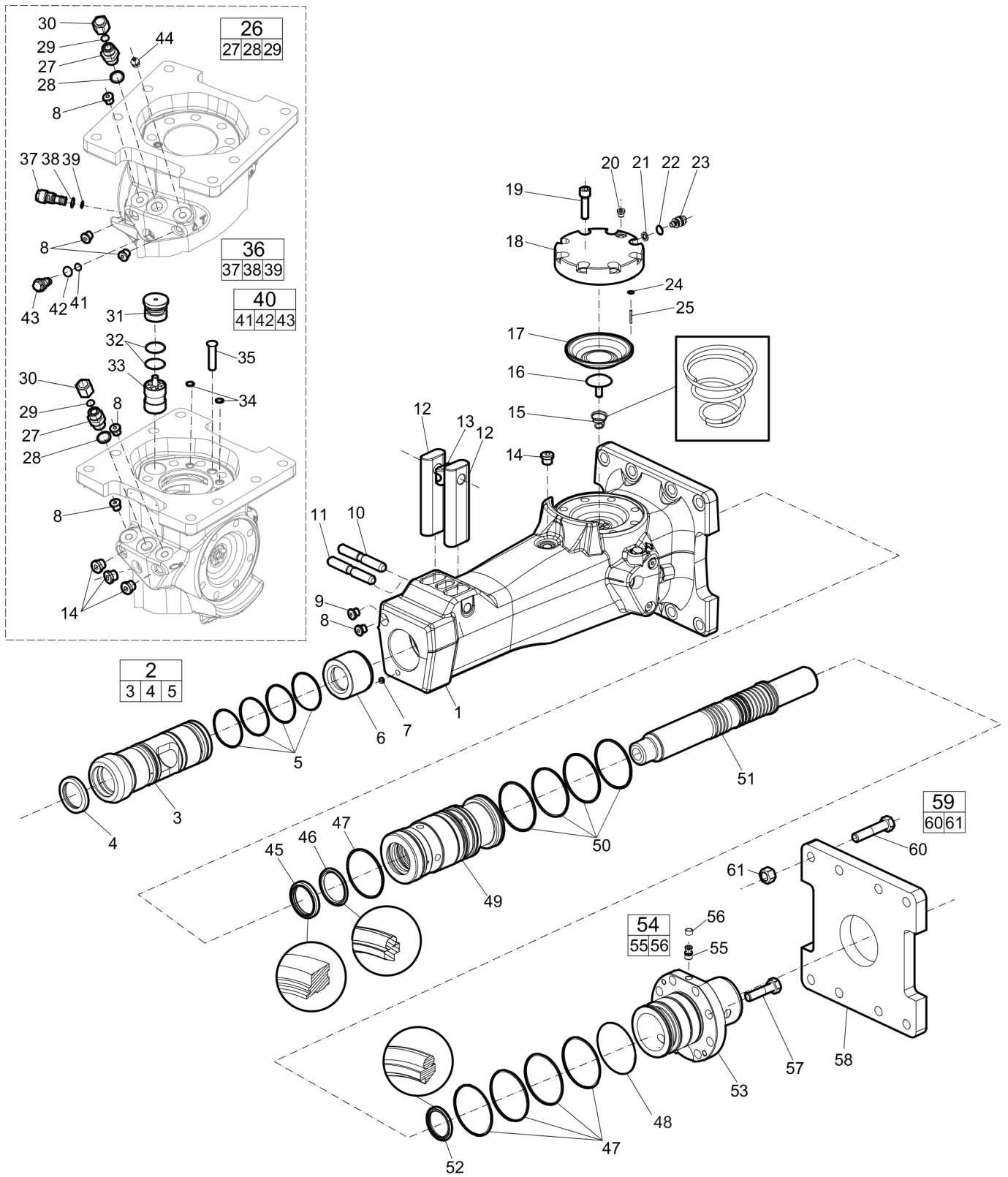
Comments for Page: Accumulator repair kit

(L)OCAL REMARKS

A | Screw with extra high fatigue strength.

B | VSTI R 1/8-ED

Mechanical Spare parts list



Refer to the DocMine web page for most up-to-date information. The printed information might be outdated.
Tue Mar 10 10:06:13 UTC 2020

Item	Part No.	Name	Qty	L
1	-	Breaker body	1	
2	3315353980	Bushing standard, complete	1	A
3	--	Bushing, ø75 mm, ø2.95 in.	1	
4	3315356400	Scraper ring	1	
5	0663210289	O-ring, 64.5 x 3 mm (90 shore), 2.53 x 0.12 in.	4	
6	3315291800	Stop ring	1	
7	0686100009	Plug, Ø10 mm, Ø0.39 in.	1	
8	0686644207	PLUG	6	B
9	3315395200	Water Nossle	1	
10	3315293000	Lock pin	1	
11	0108169126	Spring pin, option	1	
12	3315147000	Retainer bar	2	
13	3315141900	LOCK BUFFER	1	
14	0686371801	PLUG	4	C
15	3315293300	Coil spring	1	
16	3315288900	Diaphragm support	1	
17	3315289000	Diaphragm	1	
18	3315282400	Accumulator house	1	
19	0211196534	HEX SOCK. SCREW	8	D
20	0686371805	PLUG	1	E
21	3115329002	SEAL RING	1	
22	0663212000	O-RING	1	
23	3315366000	VALVE	1	
24	0663211400	O-RING	1	
25	0101414000	PIN	1	
26	0580001846	PIPE COUPLING	1	F
27	--	Nipple	1	
28	0664000003	Seal ring	1	
29	0663905501	O-RING		
30	0570700019	CAP	2	
31	3315364000	Valve cover	1	
32	0663211490	O-ring, 31. 2 x 3 mm, 1.23 x 0.12 in.	2	
33	3315291900	Control valve	1	
34	0665090014	SEAL RING	2	
35	3315305000	Plug	1	
36	3315335000	Pressure relief valve, complete	1	
37	--	Pressure relief valve	1	

Refer to the DocMine web page for most up-to-date information. The printed information might be outdated.

Tue Mar 10 10:06:13 UTC 2020

Item	Part No.	Name	Qty	L
38	0663903201	O-RING	1	
39	0663905401	O-ring, 10.82 x 1.78 mm , 0.43 x 0.07 in. (90 shore)	1	
40	3315369551	Restrictor standard, complete	1	G
41	0663905401	O-ring, 10.82 x 1.78 mm , 0.43 x 0.07 in. (90 shore)	1	
42	0663903201	O-RING	1	
43	--	Restrictor, ø5.5 mm, ø0.22 in.	1	
44	0544215300	GREASE NIPPLE	1	H
45	0665909954	Wiper	1	
46	0665070131	Piston rod seal	1	
47	0663211456	O-ring, 86 x 3 mm (90 shore), 3.39 x 0.12 in.	5	
48	0663210631	O-RING	1	
49	3315291300	Liner	1	
50	0663210053	O-RING	4	
51	3315291700	Piston	1	
52	0665070132	Piston rod seal	1	
53	3315293900	Back head	1	
54	3315244881	CHECK VALVE	1	
55	--	Check valve	1	
56	3315280800	VALVE RUBBER	1	
57	0147148103	SCREW, HEX HEAD	8	
58	3315304300	Base plate with through borings	1	
59	3315296490	Bolt kit	1	
60	--	Screw, M16 x 75 mm 8.8 fzb	8	
61	--	Nut, M16	8	

Comments for Page: Spare parts list

(L)OCAL REMARKS

A | For more bushings, see section "Bushing oversize, complete".

B | VSTI R 1/4 - ED

C | VSTI R 3/8 - ED

D | Screw with extra high fatigue strength.

E | VSTI R 1/8 - ED

F | There are two "Nipple, complete" on the machine.

G | Formore restrictors, see section "Restrictor, complete".

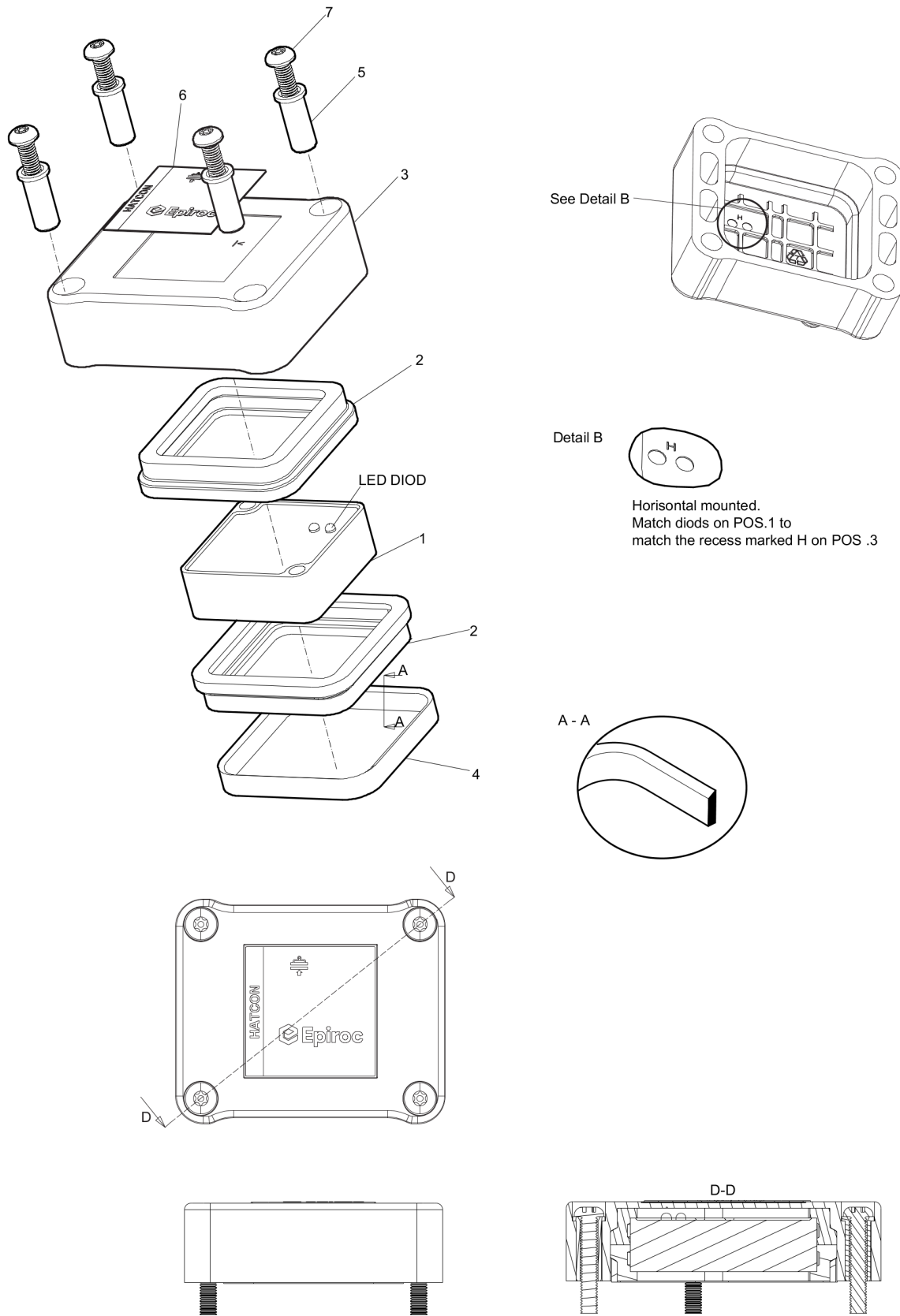
H | ISO 7-R 1/4

Refer to the DocMine web page for most up-to-date information. The printed information might be outdated.

Tue Mar 10 10:06:13 UTC 2020

This page intentionally left blank

Mechanical HATCON (Horizontal)



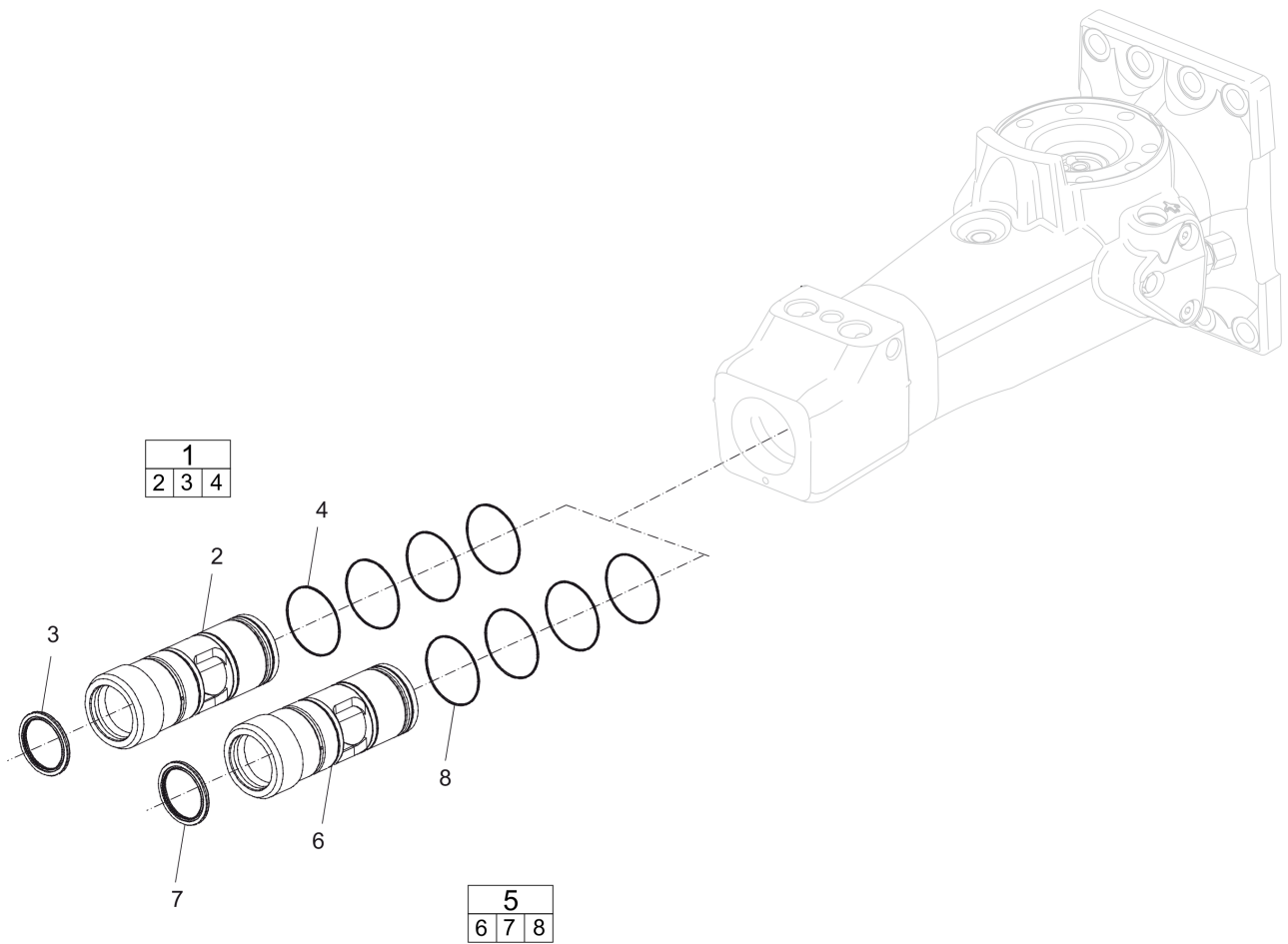
Refer to the DocMine web page for most up-to-date information. The printed information might be outdated.
Tue Mar 10 10:06:13 UTC 2020

Item	Part No.	Name	Qty	L
1		Tracking module HATCON	1	
2	3315439130	Damper HATCON	2	
3	3315439110	Housing type 1 HATCON	1	
4	3315439140	Lock ring HATCON	1	
5	3315439120	Sleeve HATCON	4	
6	3315439100	Product label HATCON	1	
7	3315442600	Screw HATCON	4	

Refer to the DocMine web page for most up-to-date information. The printed information might be outdated.

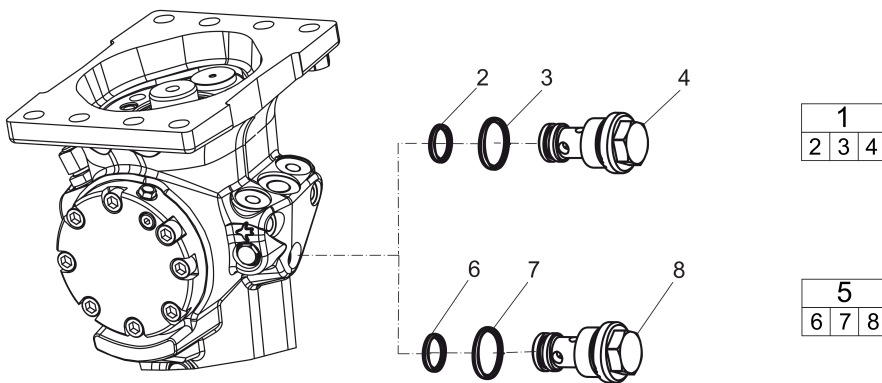
Tue Mar 10 10:06:13 UTC 2020

Mechanical Optional parts - Bushing oversize, complete



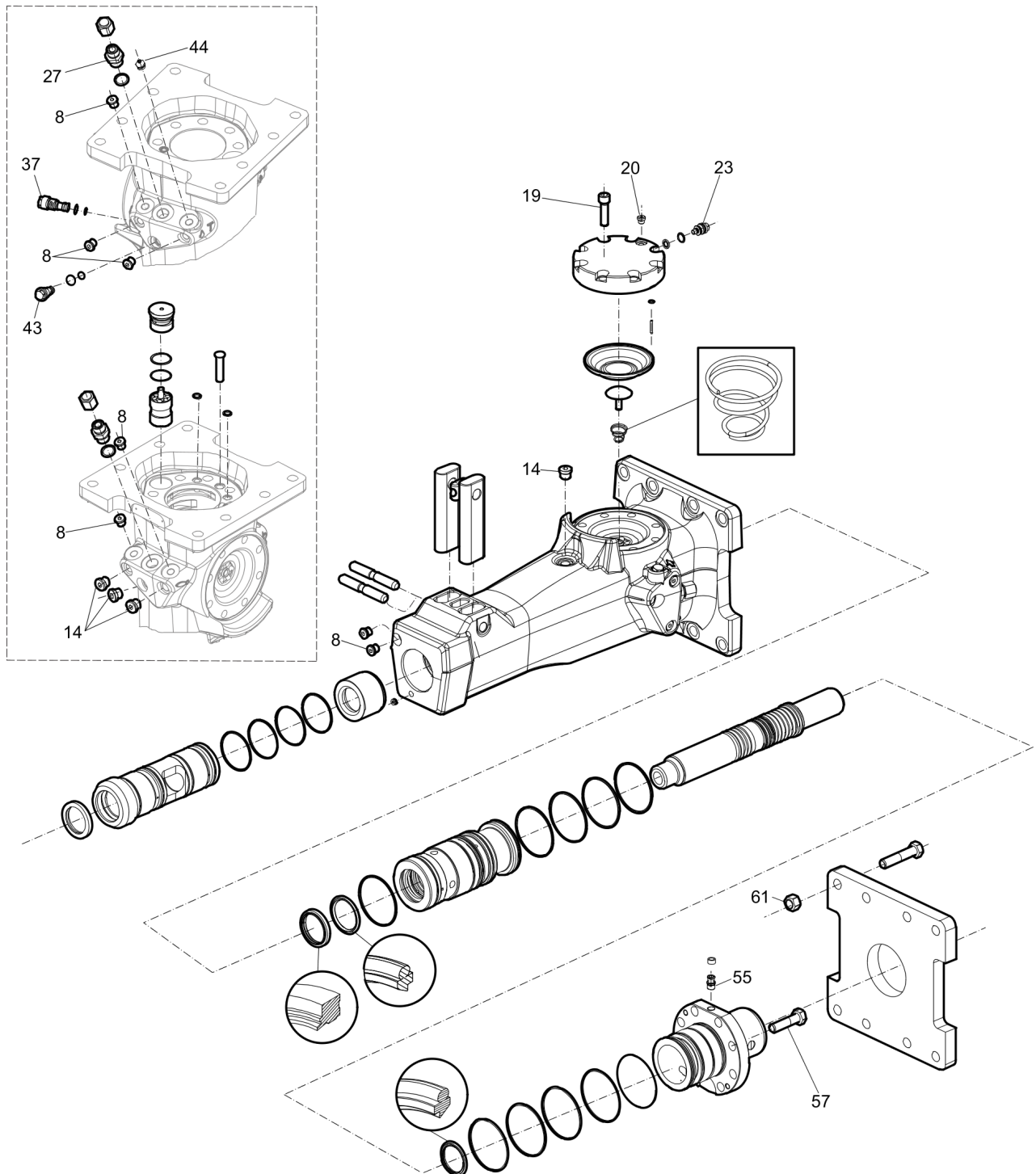
Item	Part No.	Name	Qty	L
1	3315353960	Bushing oversize, complete	1	
2	--	Bushing, Ø76.5 mm, Ø3.01 in.	1	
3	3315356400	Scraper ring	1	
4	0663210612	O RING	4	
5	3315353963	Bushing oversize, complete	1	
6	--	Bushing, Ø78 mm, Ø3.07 in.	1	
7	3315356400	Scraper ring	1	
8	0663210612	O RING	4	

Mechanical Optional parts - Restrictor, complete



Item	Part No.	Name	Qty	L
1	3315369535	Restrictor, complete	1	
2	--	O-ring, 10.82 x 1.78 mm, 0.43 x 0.07 in.	1	
3	--	O-ring, 15.6 x 1.78 mm, 0.61 x 0.07 in.	1	
4	--	Restrictor, Ø4.5 mm, Ø0.18 in.	1	
5	3315369540	Restrictor, complete	1	
6	--	O-ring, 10.82 x 1.78 mm, 0.43 x 0.07 in.	1	
7	--	O-ring, 15.6 x 1.78 mm, 0.61 x 0.07 in.	1	
8	--	Restrictor, Ø4.0 mm, Ø0.16 in.	1	

Mechanical Tightening torque



Refer to the DocMine web page for most up-to-date information. The printed information might be outdated.

Tue Mar 10 10:06:15 UTC 2020

Item	Part No.	Name	Qty	L
8	-	Hexagon socket plug - 30 Nm	-	A
14	-	Hexagon socket plug - 80 Nm	-	B
19	-	Hexagon socket screw - 120 Nm	-	C
20	-	Hexagon socket plug - 20 Nm	-	
23	-	Charge valve - 20 Nm	-	
27	-	Nipple - 210 Nm	-	
37	-	Pressure relief valve - 80 Nm	-	
43	-	Restrictor - 80 Nm	-	
44	-	Grease nipple - 30 Nm	-	
55	-	Check valve - 30 Nm	-	D
57	-	Hexagon head screw - 180 Nm	-	E
61	-	Nut - 200 Nm	-	

Comments for Page: Tightening torque

LOCTITE is a registered trademark of Henkel Corporation. 243 is a trademark of Henkel Corporation. Molycote is a registered trademark of Dow Corning Corporation.

(L)OCAL REMARKS

A | LOCTITE® 243™

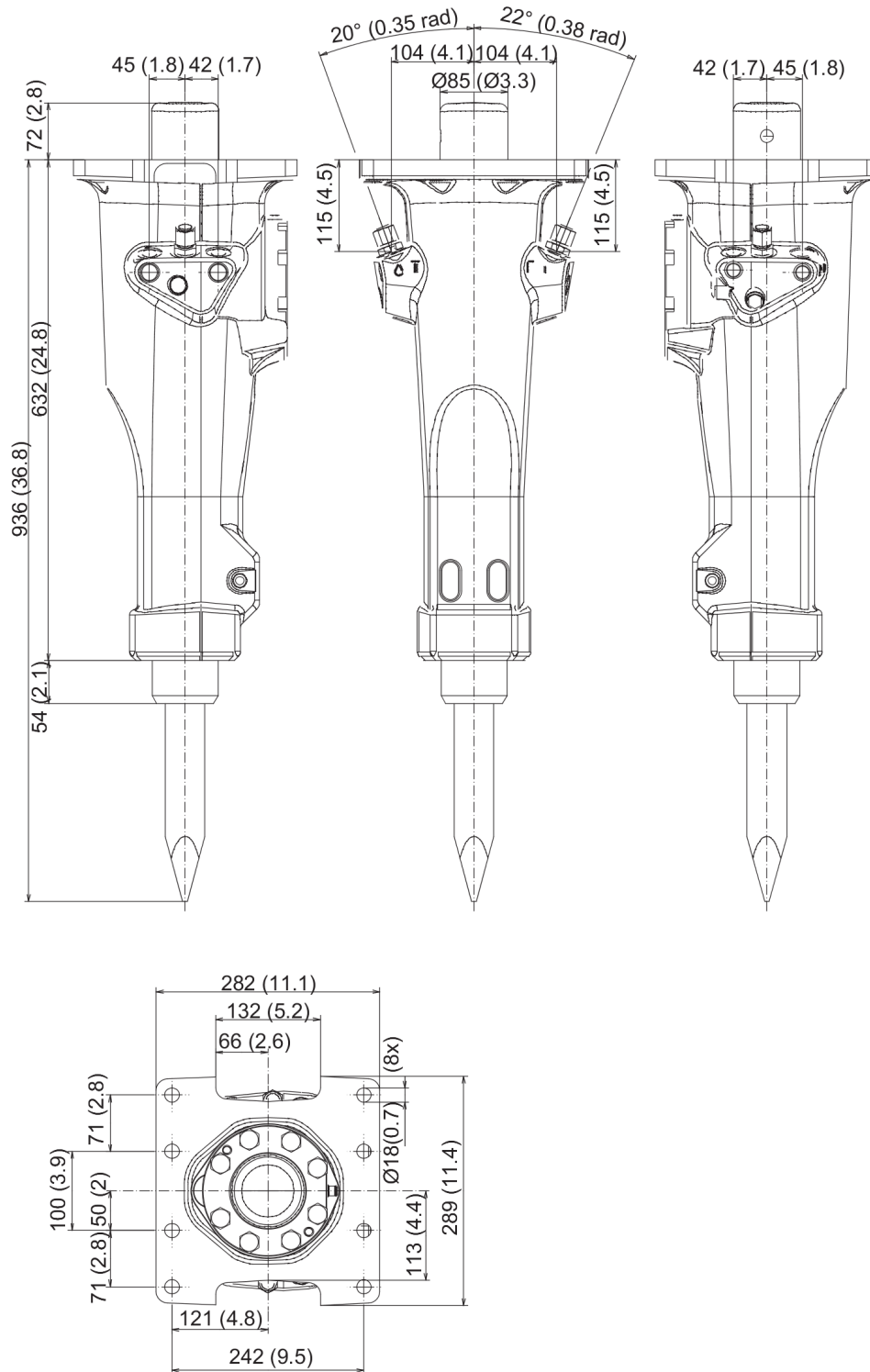
B | LOCTITE® 243™

C | Molycote®

D | LOCTITE® 243™

E | Molycote®

Mechanical Dimensions (mm)

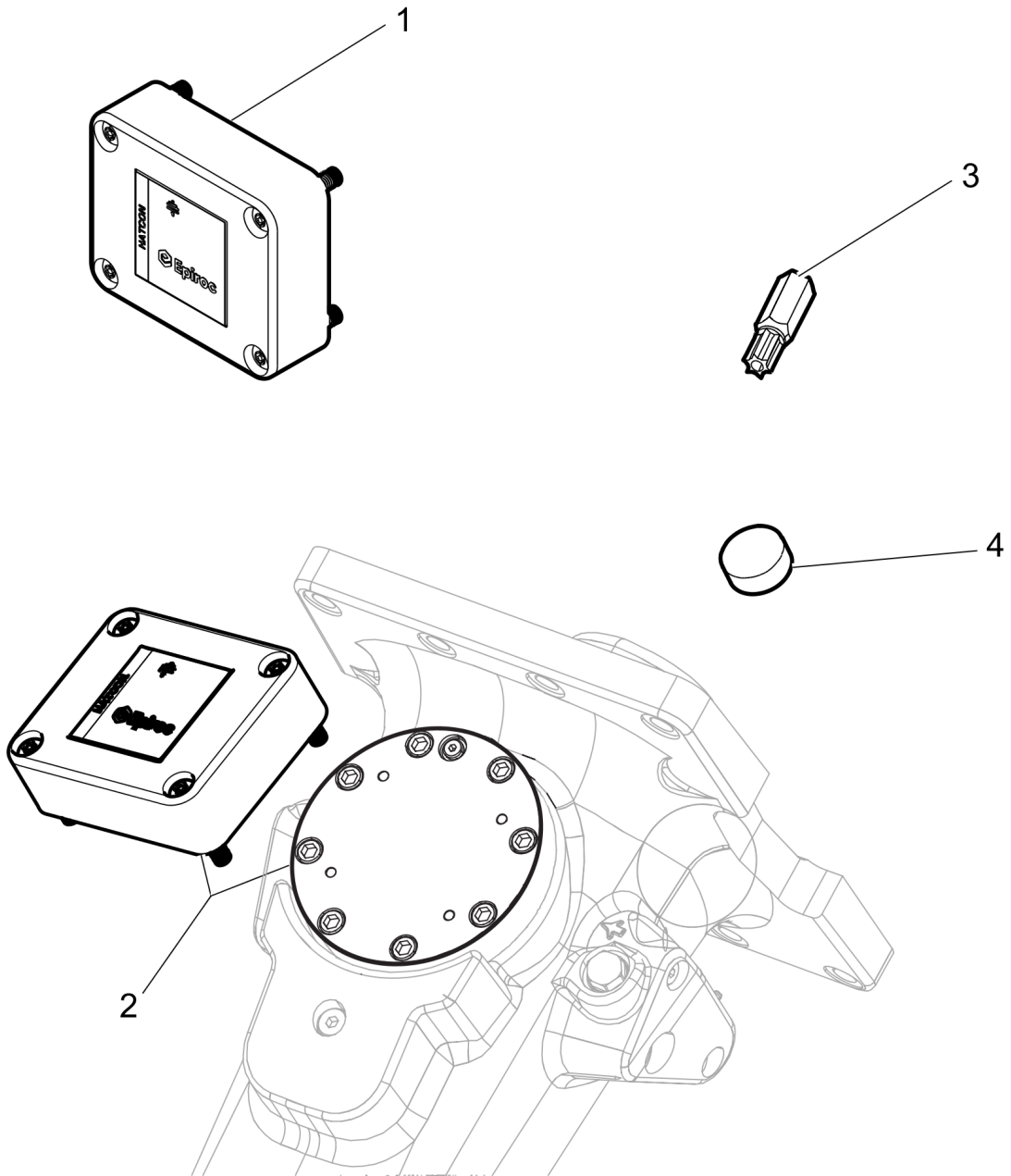


Refer to the DocMine web page for most up-to-date information. The printed information might be outdated.

Tue Mar 10 10:06:15 UTC 2020

This page intentionally left blank

Options/accessories Retrofit



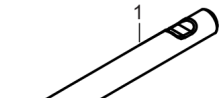
Item	Part No.	Name	Qty	L
1	3315442500	Retrofit kit HATCON	1	A
2	3315442510	Retrofit with accumulator house	1	B
3	3315439105	Security bit HATCON	1	
4	3315439106	Magnet HATCON	1	

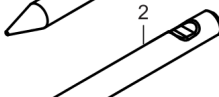
Comments for Page: Retrofit

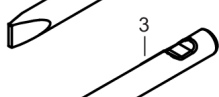
A | Valid from BES124749


B | Valid before BES124748


Options/accessories Working tools ClassicLine

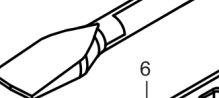
- 


L=280 mm, LT=540 mm, Wt=6.7 kg
L= 11.02 nch, LT=21.26 inch, Wt=14.8 lb
- 


W= 50 mm, L=280 mm, LT=540 mm, Wt=6,9kg
W=1.97inch, L= 11.02 inch, LT=21.26 inch, Wt=14.8 lb
- 

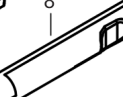
W=50mm L=280 mm, LT=540 mm, Wt=9.3 kg
W= 1.97 inch, L=11.02 inch, LT=21.26 inch, Wt=14.8 lb
- 

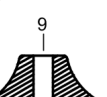
LT=540 mm, Wt=6.8kg
LT=21.26 inch, Wt=15.0 lb
- 

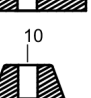
W=110 mm, L=220 mm, LT=480 mm, Wt=7,2 kg
W=4.33 inch, L=8.66 inch, LT=18.9 inch, Wt=15.9 lb
- 

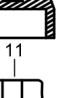
W=110 mm, L=220 mm, LT=480 mm, Wt=7.2 kg
W=4.33 inch, L=8.66 inch, LT=18.9 inch, Wt=15.9 lb
- 

W=120 mm, L=230 mm, LT=490 mm, Wt=6.4 kg
W=4.72 inch, L=9.06 inch, LT=19.26 inch, Wt=14.1 lb
- 

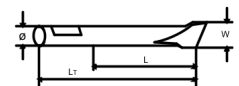
W=120 mm, L=230 mm, LT=490 mm, Wt=6,4 kg
W=4.72 inch, L=9.06 inch, LT=19.26 inch, Wt=14.1 lb
- 

W= Ø200 mm, Wt=15 kg
W=Ø7.87 inch, Wt=33.1 lb
- 

W=Ø100 mm, Wt=8.5 kg
W=Ø3.94 inch, Wt=18.7 lb
- 

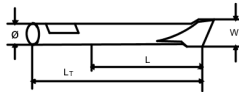
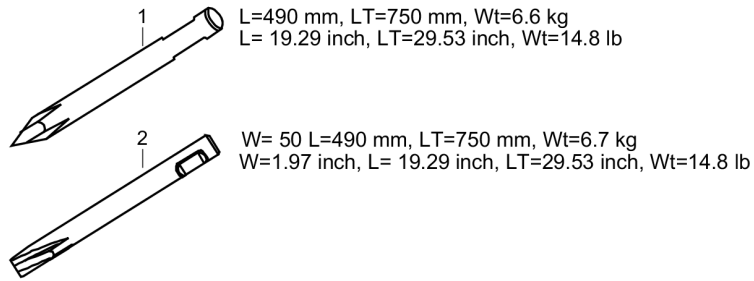
W=Ø50 mm, Wt=3.3 kg
W=Ø1.97 inch, Wt=7.3 lb
- 

W=Ø90 mm, Wt=4.1 kg
W=Ø3.54 inch, Wt=9.0 lb



Item	Part No.	Name	Qty	L
1	3083342413	Moil point	1	
2	3083342415	Chisel(cross)	1	
3	3083342414	Blunt tool	1	
4	3315370101	Shaft	1	
5	3083317100	Wide chisel	1	
6	3083317200	Wide chisel indexed 90°	1	
7	3083317300	Asphalt cutter	1	
8	3083317400	Asphalt cutter indexed 90°	1	
9	3315370600	Tamping pad (square)	1	
10	3315371400	Post driver pad (round)	1	
11	3315372100	Pile driver pad (round)	1	
12	3315372800	Bushing pad (round)	1	

Options/accessories Working tools ProLine



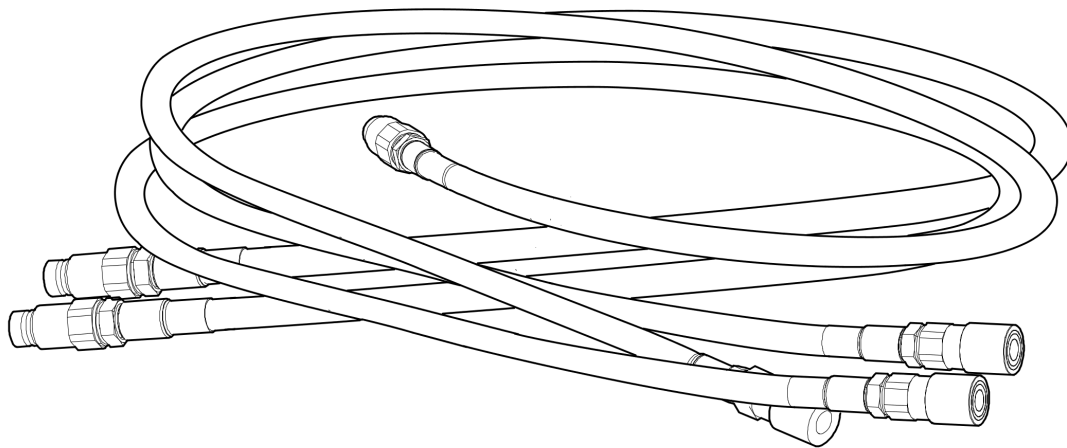
Item	Part No.	Name	Qty	L
1	3363120261	Moil point (X-profile)	1	
2	3363120262	Chisel (X-profile)	1	

Options/accessories Optional equipment

NO EXPLODED VIEW
AVAILABLE
FOR THIS BOM

Item	Part No.	Name	Qty	L
-	0909107100	LUBRICAT.GUN	1	
-	3363094913	Chisel paste cartridge for grease gun, 12 x 400 g (0.88 lbs)	1	
-	3362263900	Chisel paste container (15 kg)	1	
-	3362263275	Chisel paste container (45 kg)	1	
-	3360920415	Filling device for accumulator	1	
-	3363094459	Nipple, for charging the accumulator	1	
-	3361329803	Filling hose for charging the accumulator	1	
-	3315353100	Bushing wear controller	1	

Options/accessories Hydraulic hoses



Item	Part No.	Name	Qty	L
-	3360995717	Hose, both ends 18 L(M26 x 1.5) length 1500 mm	2	
-	3362235159	Hose, both ends 18 L(M26 x 1.5) length 2000 mm	2	
-	3363083313	Hose, both ends 18 L(M26 x 1.5) length 2400 mm	2	
-	3363098018	Additional fitting kit	1	A

Comments for Page: Hydraulic hoses

(L)OCAL REMARKS

A | Needed to fit two hoses to the hydraulic breaker

Any unauthorized use or copying of the contents or any part thereof is prohibited.
This applies in particular to trademarks, model denominations, part numbers, and drawings.