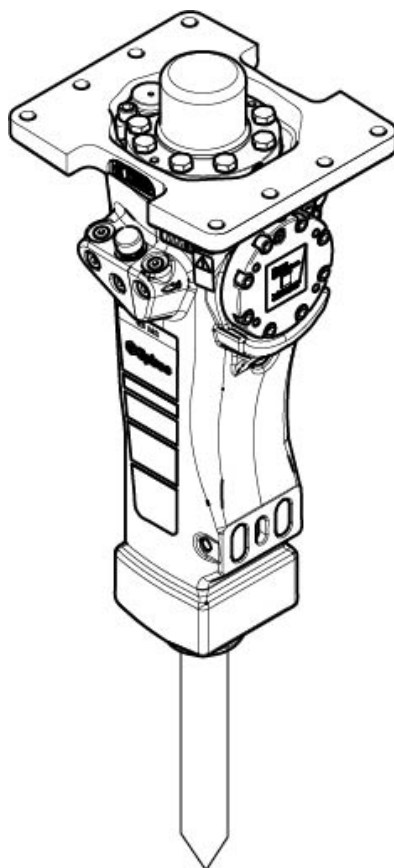


SB 202

Spare parts list Hydraulic breakers

SB 202 s/n BES051618 –



General information

This spare parts list applies to the following:

Part number	Description
8460030050	SB 202

Use only authorized parts. Any damage or malfunction caused by the use of unauthorized parts is not covered by Warranty or Product Liability. Any unauthorized use or copying of the contents or any part thereof is prohibited. This applies in particular to trademarks, model denominations, part numbers, and drawings.

Instructions for use

This spare parts list contains no safety regulations and is merely intended to assist in the ordering of spare parts.

For information about operating, servicing, or repairing, the relevant Safety and operating instructions must be consulted at all costs.

Please observe the safety instructions listed in the relevant Safety and operating instructions!

Service, repair and wear part kits

Lower hammer part kit 1
Label kit 3
Accumulator repair kit 5
Seal kit 7

Mechanical

Hydraulic breaker 9
HATCON (Horizontal) 12
Tightening torque 15
Dimensions mm (in.) 17

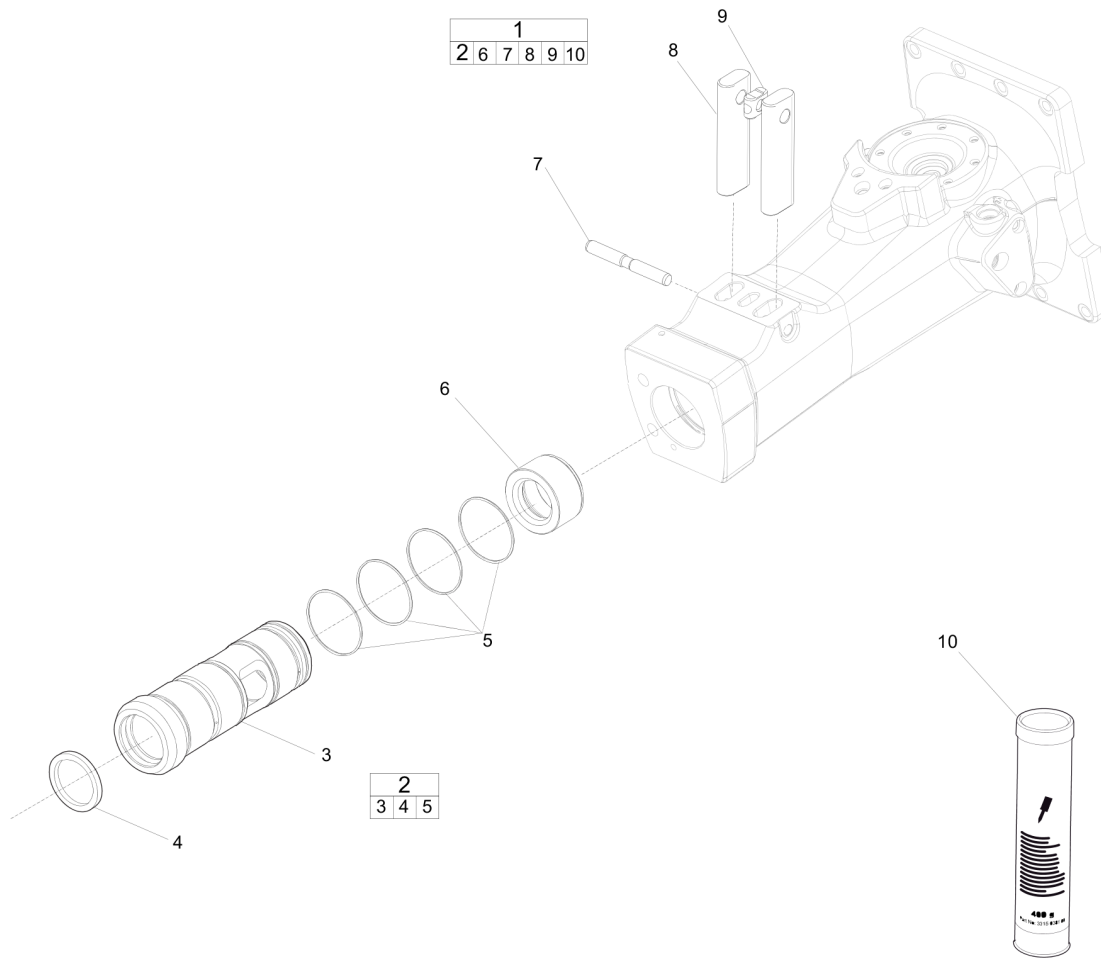
Options / accessories

Retrofit 18
Optional parts - Restrictor, complete (Valid to BES098724) 21
Optional parts - Restrictor, complete (Valid from BES098725) 23
Optional parts - Bushing oversize, complete 25
Optional equipment 27
Hydraulic hoses 29
Working tools ClassicLine 31
Working tools ProLine 33

Annex

Environmental Product Compliance - REACH Declaration 35

Service, repair and wear part kits Lower hammer part kit



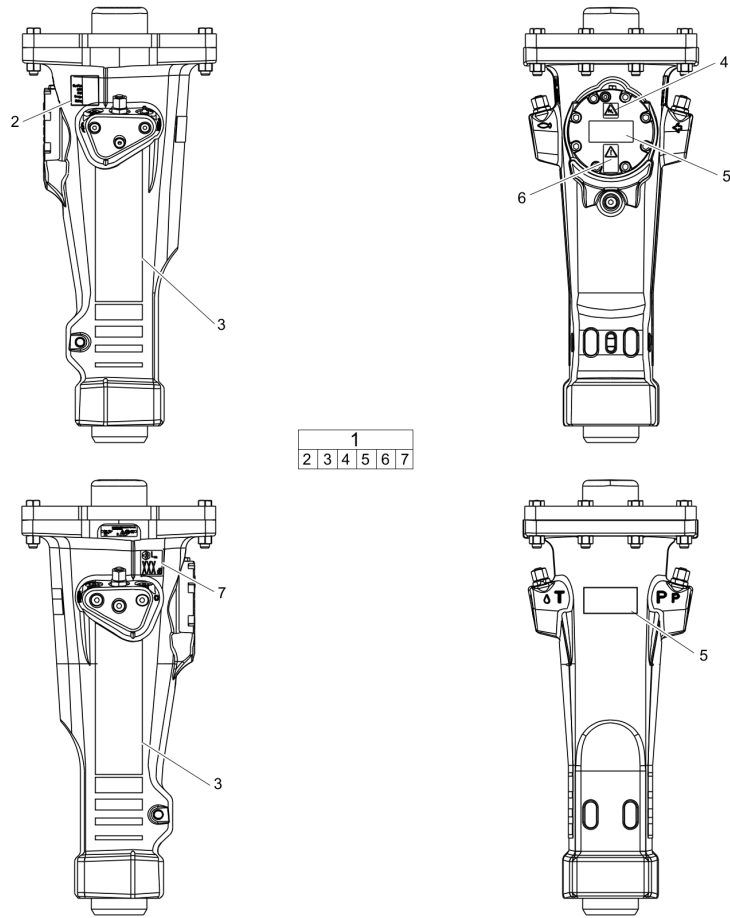
Item	Part No.	Name	Qty	L
1	3315352145	Lower hammer part kit	1	
2	3315354080	Bushing standard, complete	1	
3	---	Bushing	1	
4	3315356200	Scraper ring	1	
5	0663210498	O-ring	4	
6	3315277800	Stop ring	1	
7	3315135000	Lock pin	1	
8	3315134900	Retainer bar	2	
9	3315141900	LOCK BUFFER	1	
10	--	Chisel paste cartridge	1	A

Comments for Page: Lower hammer part kit

(L)OCAL REMARKS

A | 400g

Service, repair and wear part kits Label kit



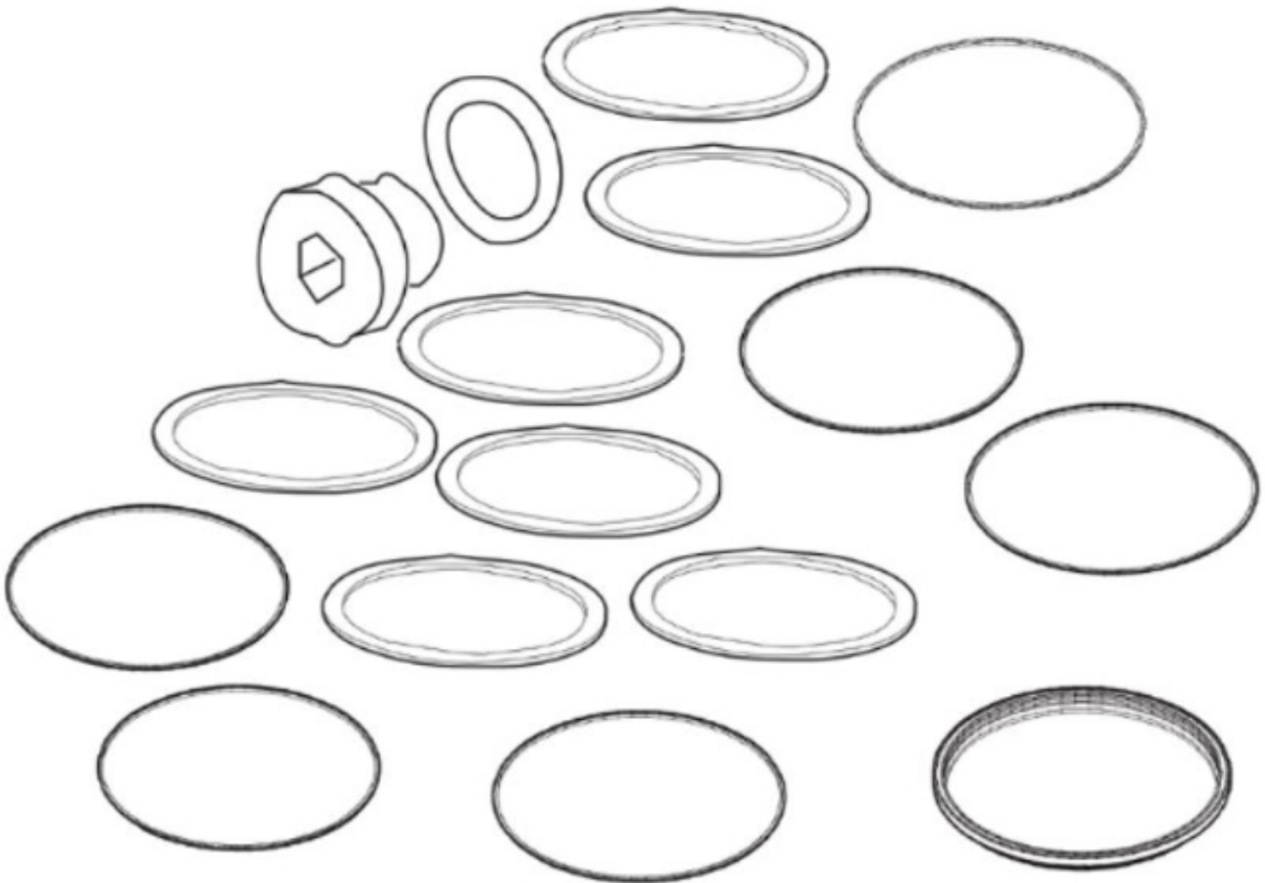
Item	Part No.	Name	Qty	L
1	3315294390	Label kit	1	
2	-	AEM sign	1	
3	-	Product label "SB 202"	2	
4	-	SAFETY LABEL	1	
5	-	Product label	2	
6	-	SAFETY LABEL	1	
7	-	Sound power label	1	

Service, repair and wear part kits Accumulator repair kit

NO EXPLODED VIEW
AVAILABLE
FOR THIS BOM

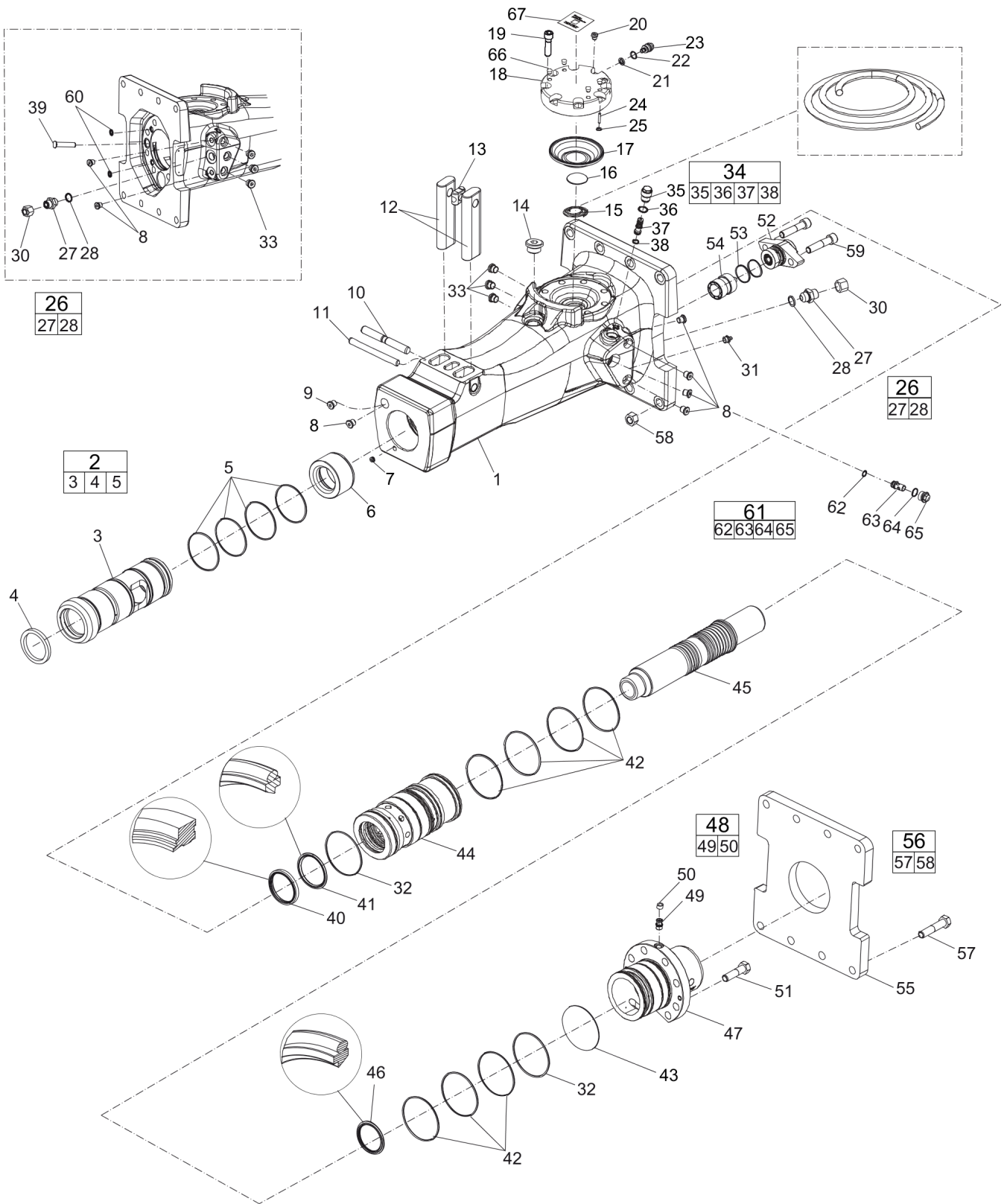
Item	Part No.	Name	Qty	L
1	3382070078	Accumulator repair kit	1	
-	3315359600	Coil spring	1	
-	3315359500	Diaphragm support	1	
-	3315289000	Diaphragm	1	
-	0211196534	HEX SOCK. SCREW	8	
-	3115329002	SEAL RING	1	
-	0686371805	PLUG	1	
-	0663212000	O-RING	1	
-	3315366000	VALVE	1	
-	0663211400	O-RING	1	
-	0101414000	PIN	1	

Service, repair and wear part kits Seal kit



Item	Part No.	Name	Qty	L
1	3382070079	Seal kit	1	
2	0663210494	O-RING	7	
3	0663210498	O-ring	4	
4	0663211400	O-RING	1	
5	0663211444	O-RING	2	
6	0663211516	O-ring, 101.27x 2.62 mm	1	
7	0663212000	O-RING	1	
8	0663903201	O-RING	2	
9	0663905401	O-ring, 10.82 x 1.78 mm , 0.43 x 0.07 in. (90 shore)	2	
10	0663990036	Seal ring	2	
11	0664000003	Seal ring	4	
12	0665070129	Piston rod seal	1	
13	0665070130	Piston rod seal	1	
14	0665090014	SEAL RING	2	
15	0665909956	Wiper	1	
16	3115329002	SEAL RING	2	
17	3315280800	VALVE RUBBER	1	
18	3315336700	PLUG	1	
19	3315356200	Scraper ring	1	
20	3360992661	Plastic bag	1	

Mechanical Hydraulic breaker



Refer to the DocMine web page for most up-to-date information. The printed information might be outdated.
Wed Apr 28 12:09:10 UTC 2021

Item	Part No.	Name	Qty	L
1	-	Breaker body	1	
2	3315354080	Bushing standard, complete	1	A
3	-	Bushing, Ø90 mm, Ø3.54 in.	1	
4	3315356200	Scraper ring	1	
5	0663210498	O-ring	4	
6	3315277800	Stop ring	1	
7	0686100009	Plug, Ø10 mm, Ø0.39 in.	1	
8	0686644207	PLUG	6	
9	3315395200	Water Nossle	1	
10	3315135000	Lock pin	1	
11	0108169127	Spring pin, option	1	
12	3315134900	Retainer bar	2	
13	3315141900	LOCK BUFFER	1	
14	0686371803	PLUG	1	
15	3315359600	Coil spring	1	
16	3315359500	Diaphragm support	1	
17	3315289000	Diaphragm	1	
18	3315282410	Accumulator house	1	
19	0211196534	HEX SOCK. SCREW	8	
20	0686371805	PLUG	1	
21	3115329002	SEAL RING	1	
22	0663212000	O-RING	1	
23	3315366000	VALVE	1	
24	0101414000	PIN	1	
25	0663211400	O-RING	1	
26	0580001846	PIPE COUPLING	1	
27	-	NIPPLE	2	
28	0664000003	Seal ring	1	
30	3361353486	Cap	2	
31	0544215300	GREASE NIPPLE	1	
32	0663990036	Seal ring	2	
33	0686371801	PLUG	3	
34	3315335000	Pressure relief valve, complete	1	B
35	-	VALVE PLUG	1	
36	-	Pressure relief valve	1	
37	0663905401	O-ring, 10.82 x 1.78 mm , 0.43 x 0.07 in. (90 shore)	1	
38	0663903201	O-RING	1	

Refer to the DocMine web page for most up-to-date information. The printed information might be outdated.

Wed Apr 28 12:09:10 UTC 2021

Item	Part No.	Name	Qty	L
39	3315336700	PLUG	1	
40	0665909956	Wiper	1	
41	0665070130	Piston rod seal	1	
42	0663210494	O-RING	7	
43	0663211516	O-ring, 101.27x 2.62 mm	1	
44	3315277420	Liner	1	
45	3315277300	Piston	1	
46	0665070129	Piston rod seal	1	
47	3315293110	Back head	1	
48	3315244881	CHECK VALVE	1	
49	-	CHECK VALVE	1	
50	3315280800	VALVE RUBBER	1	
51	0147148103	SCREW, HEX HEAD	8	
52	3315352020	Valve cover	1	
53	0663211444	O-RING	2	
54	3315277600	SLIDE	1	
55	3315295100	Base plate	1	
56	3315296490	Bolt kit	1	
57	-	Screw M6 x 20 mm 8.8 A2K	8	
58	-	Nut, M16	8	
59	0211110349	Screw, M14 x 65 mm	2	
60	0665090014	SEAL RING	2	
61	3315369460	Restrictor, complete		
62	0663210421	O-RING		
63	-	Restrictor, ø6 mm(standard)		
64	0663212141	O-RING		
65	3315369200	Restrictor plug		
66	3315439145	Protective plug HATCON	4	
67	3315439101	HATCON label	1	

Comments for Page: Hydraulic breaker

(L)OCAL REMARKS

A | For more bushings, see section "Bushings oversize, complete".

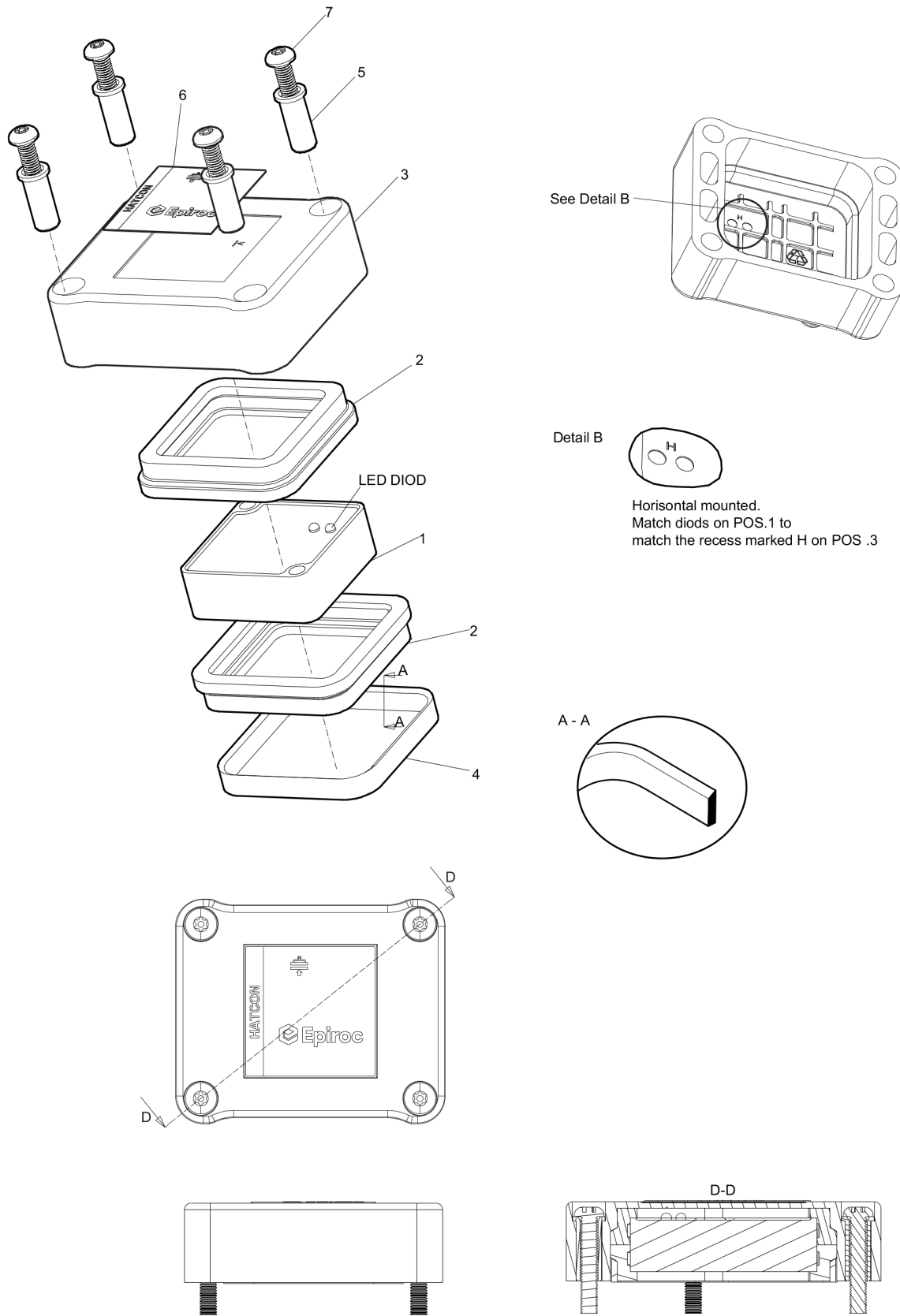
B | CAS No. see chapter "Environmental Product Compliance - REACH Declaration"

Refer to the DocMine web page for most up-to-date information. The printed information might be outdated.

Wed Apr 28 12:09:10 UTC 2021

This page intentionally left blank

Mechanical HATCON (Horizontal)



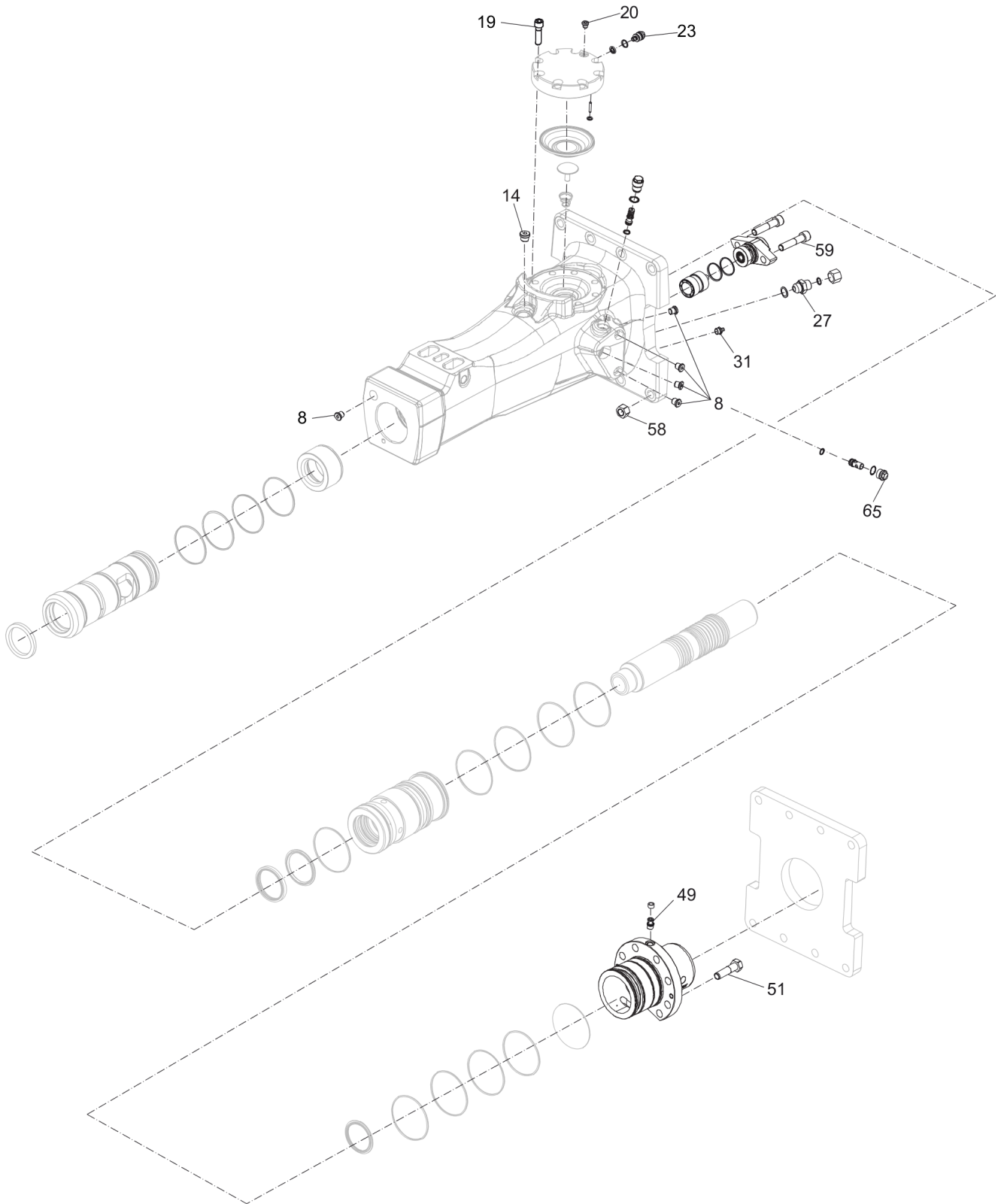
Refer to the DocMine web page for most up-to-date information. The printed information might be outdated.
Wed Apr 28 12:09:11 UTC 2021

Item	Part No.	Name	Qty	L
1		Tracking module HATCON	1	
2	3315439130	Damper HATCON	2	
3	3315439110	Housing type 1 HATCON	1	
4	3315439140	Lock ring HATCON	1	
5	3315439120	Sleeve HATCON	4	
6	3315439100	Product label HATCON	1	
7	3315442600	Screw HATCON	4	

Refer to the DocMine web page for most up-to-date information. The printed information might be outdated.

Wed Apr 28 12:09:11 UTC 2021

Mechanical Tightening torque



Refer to the DocMine web page for most up-to-date information. The printed information might be outdated.
Wed Apr 28 12:09:11 UTC 2021

Item	Part No.	Name	Qty	L
8	-	Plug - 30 Nm	-	A
14	-	Hexagon socket plug - 80 Nm	-	B
19	-	Hexagon socket screw - 120 Nm	-	C
20	-	Plug - 20 Nm	-	
23	-	Charge valve - 27 Nm	-	
27	-	Nipple - 120 Nm	-	
31	-	Grease nipple - 30 Nm	-	
49	-	Check valve - 30 Nm	-	D
51	-	Hexagon head screw (M16 x 60 mm) - 180 Nm	-	E
58	-	Nut (M 16) - 200 Nm	-	F
59	-	Screw (M14 x 65 mm) - 180 Nm	-	
65	-	Restrictor plug - 80 Nm	-	

Comments for Page: Tightening torque

LOCTITE is a registered trademark of Henkel Corporation. 243 is a trademark of Henkel Corporation. Molycote is a registered trademark of Dow Corning Corporation.

(L)OCAL REMARKS

A | LOCTITE® 243™

B | LOCTITE® 243™

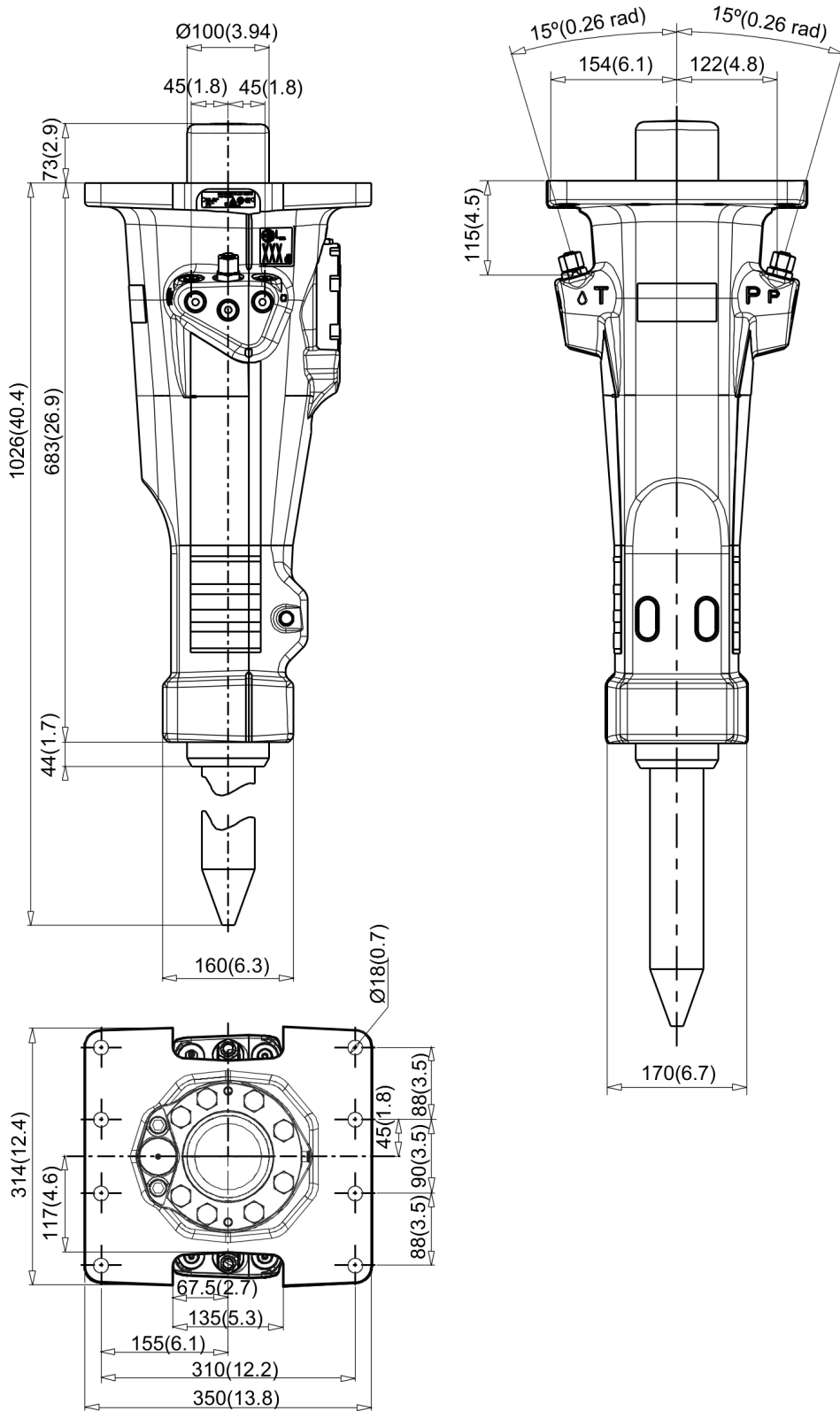
C | Molycote®

D | LOCTITE® 243™

E | Molycote®

F | Molycote®

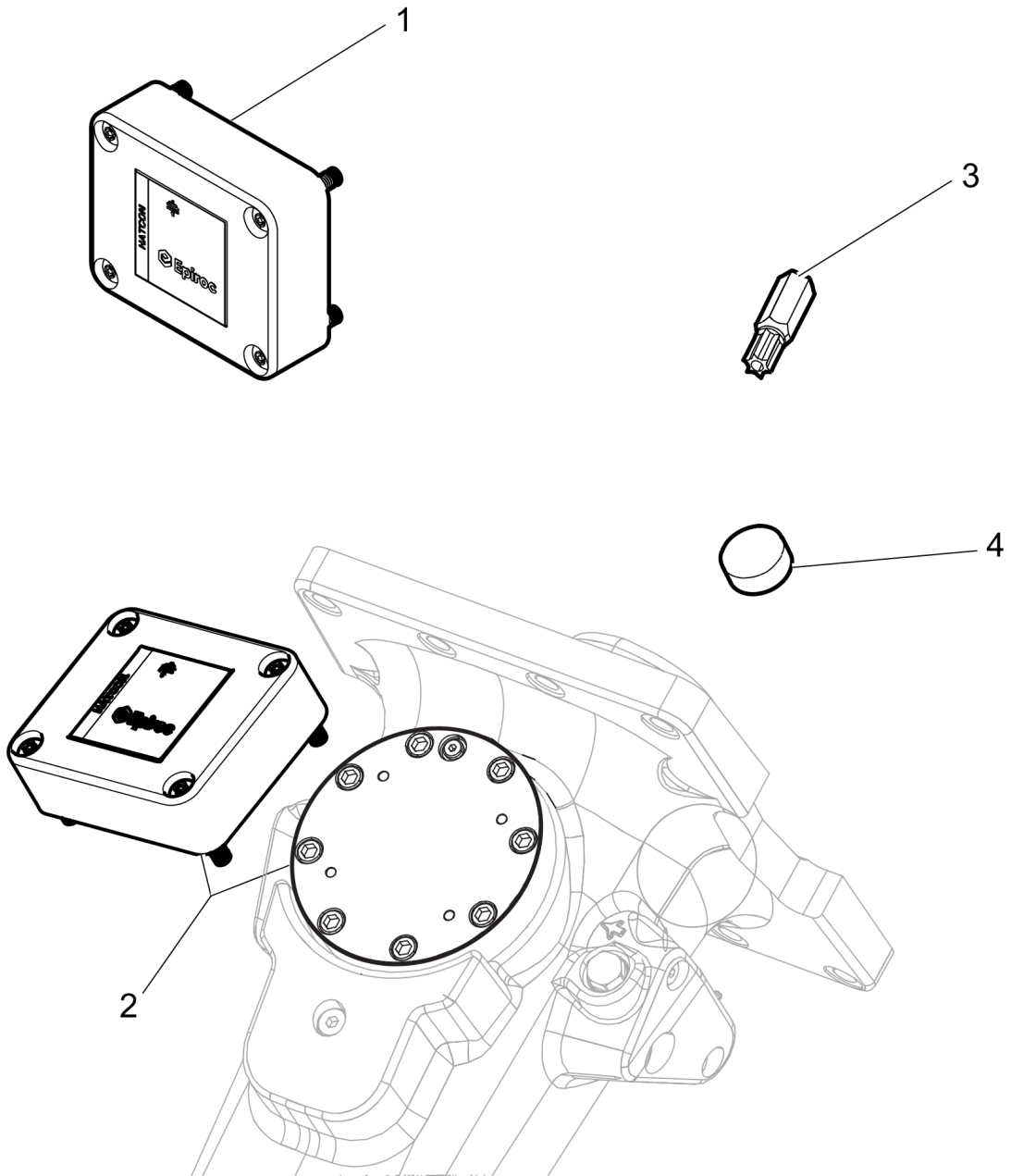
Mechanical Dimensions mm (in.)



Refer to the DocMine web page for most up-to-date information. The printed information might be outdated.
 Wed Apr 28 12:09:12 UTC 2021

This page intentionally left blank

Options / accessories Retrofit



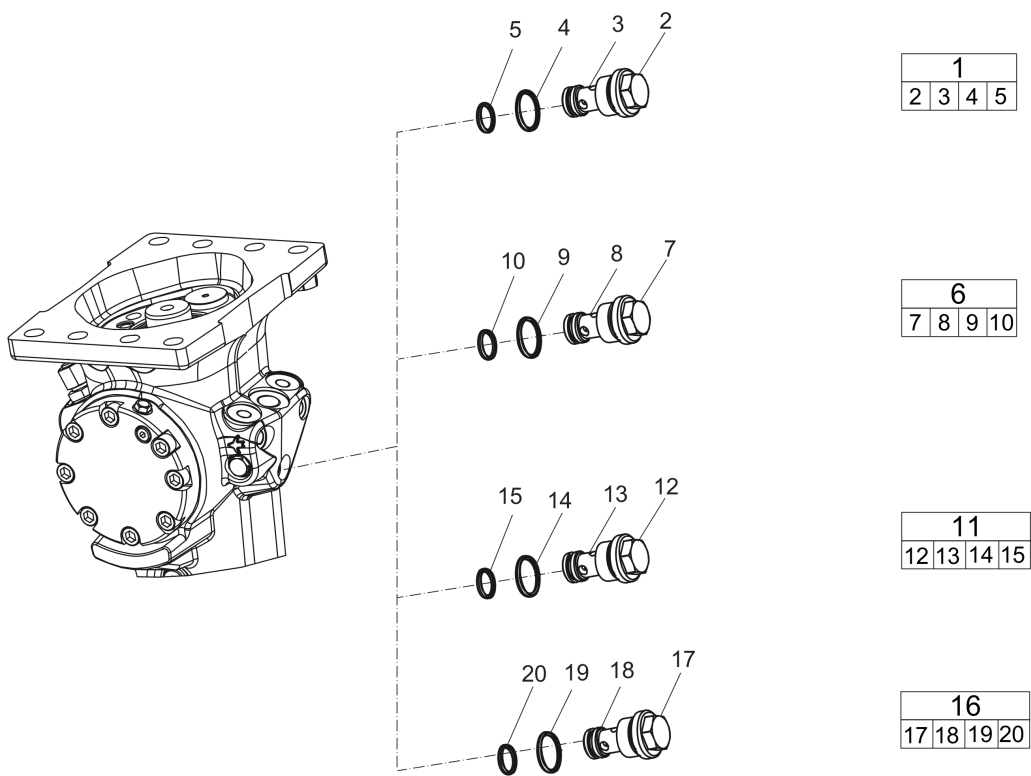
Item	Part No.	Name	Qty	L
1	3315442500	Retrofit kit HATCON	1	A
2	3315442510	Retrofit with accumulator house	1	B
3	3315439105	Security bit HATCON	1	
4	3315439106	Magnet HATCON	1	

Comments for Page: Retrofit

A | Valid from BES124774

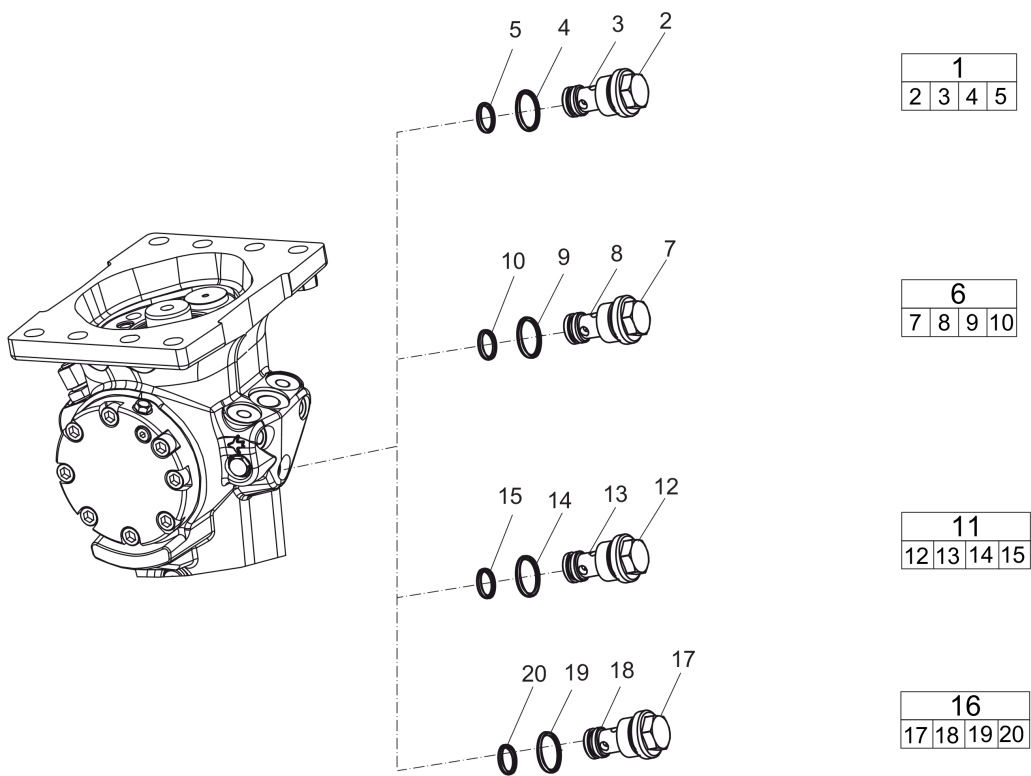
B | Valid before BES124773

Options / accessories Optional parts - Restrictor, complete (Valid to BES098724)



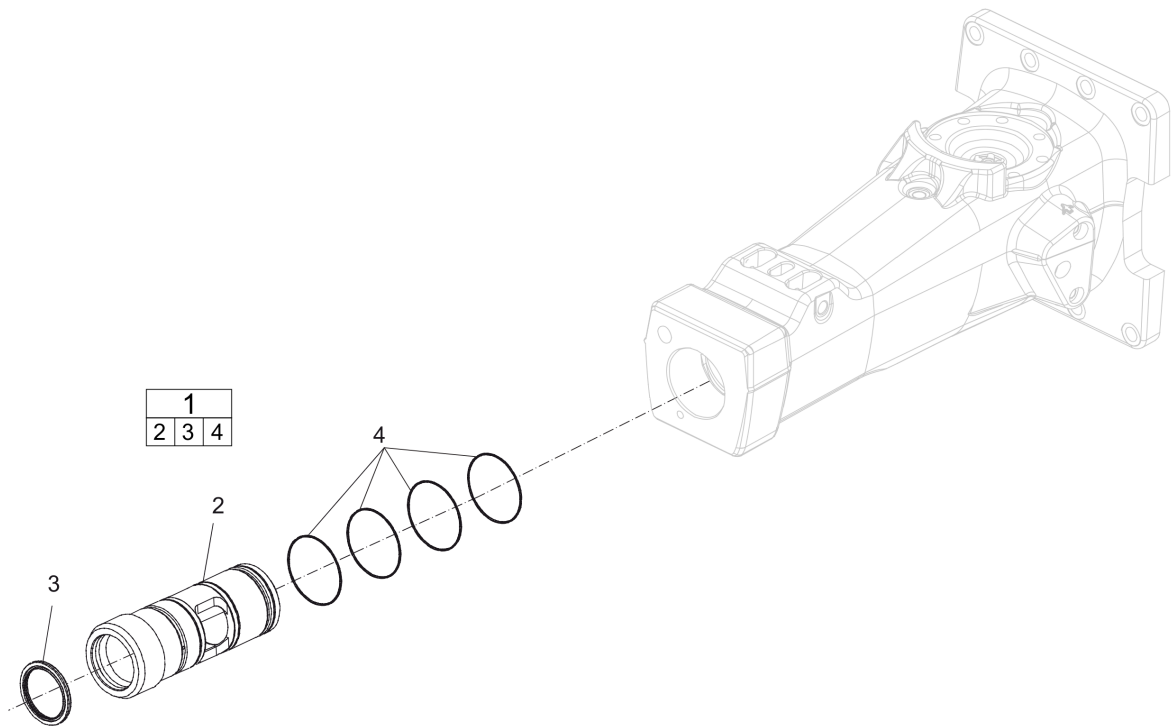
Item	Part No.	Name	Qty	L
1	3315369460	Restrictor, complete	1	
2	3315369200	Restrictor plug	1	
3	-	Restrictor sleeve Ø 6 mm	1	
4	0663212141	O-RING	1	
5	0663210421	O-RING	1	
6	3315369454	Restrictor, complete (optional)	1	
7	3315369200	Restrictor plug	1	
8	-	Restrictor sleeve Ø 5.4 mm	1	
9	0663212141	O-RING	1	
10	0663210421	O-RING	1	
11	3315369450	Restrictor, complete (Optional)	1	
12	3315369200	Restrictor plug	1	
13	-	Restrictor sleeve Ø 5.0 mm	1	
14	0663212141	O-RING	1	
15	0663210421	O-RING	1	
16	3315369445	Restrictor, complete (Optional)	1	
17	3315369200	Restrictor plug	1	
18	-	Restrictor sleeve Ø 4.5 mm	1	
19	0663212141	O-RING	1	
20	0663210421	O-RING	1	

Options / accessories Optional parts - Restrictor, complete (Valid from BES098725)



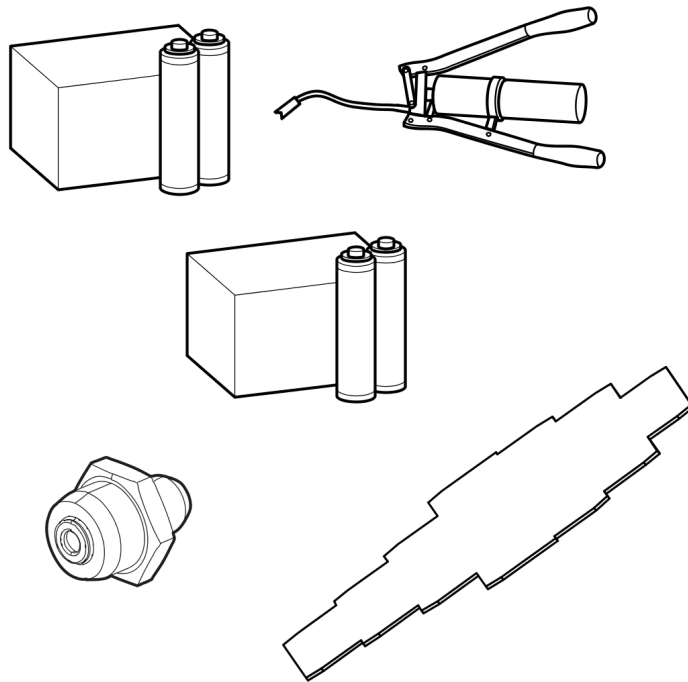
Item	Part No.	Name	Qty	L
1	3315369460	Restrictor, complete	1	
2	3315369200	Restrictor plug	1	
3	-	Restrictor sleeve Ø 6 mm	1	
4	0663212141	O-RING	1	
5	0663210421	O-RING	1	
6	3315369454	Restrictor, complete (optional)	1	
7	3315369200	Restrictor plug	1	
8	-	Restrictor sleeve Ø 5.4 mm	1	
9	0663212141	O-RING	1	
10	0663210421	O-RING	1	
11	3315369450	Restrictor, complete (Optional)	1	
12	3315369200	Restrictor plug	1	
13	-	Restrictor sleeve Ø 5.0 mm	1	
14	0663212141	O-RING	1	
15	0663210421	O-RING	1	
16	3315369445	Restrictor, complete (Optional)	1	
17	3315369200	Restrictor plug	1	
18	-	Restrictor sleeve Ø 4.5 mm	1	
19	0663212141	O-RING	1	
20	0663210421	O-RING	1	

Options / accessories Optional parts - Bushing oversize, complete



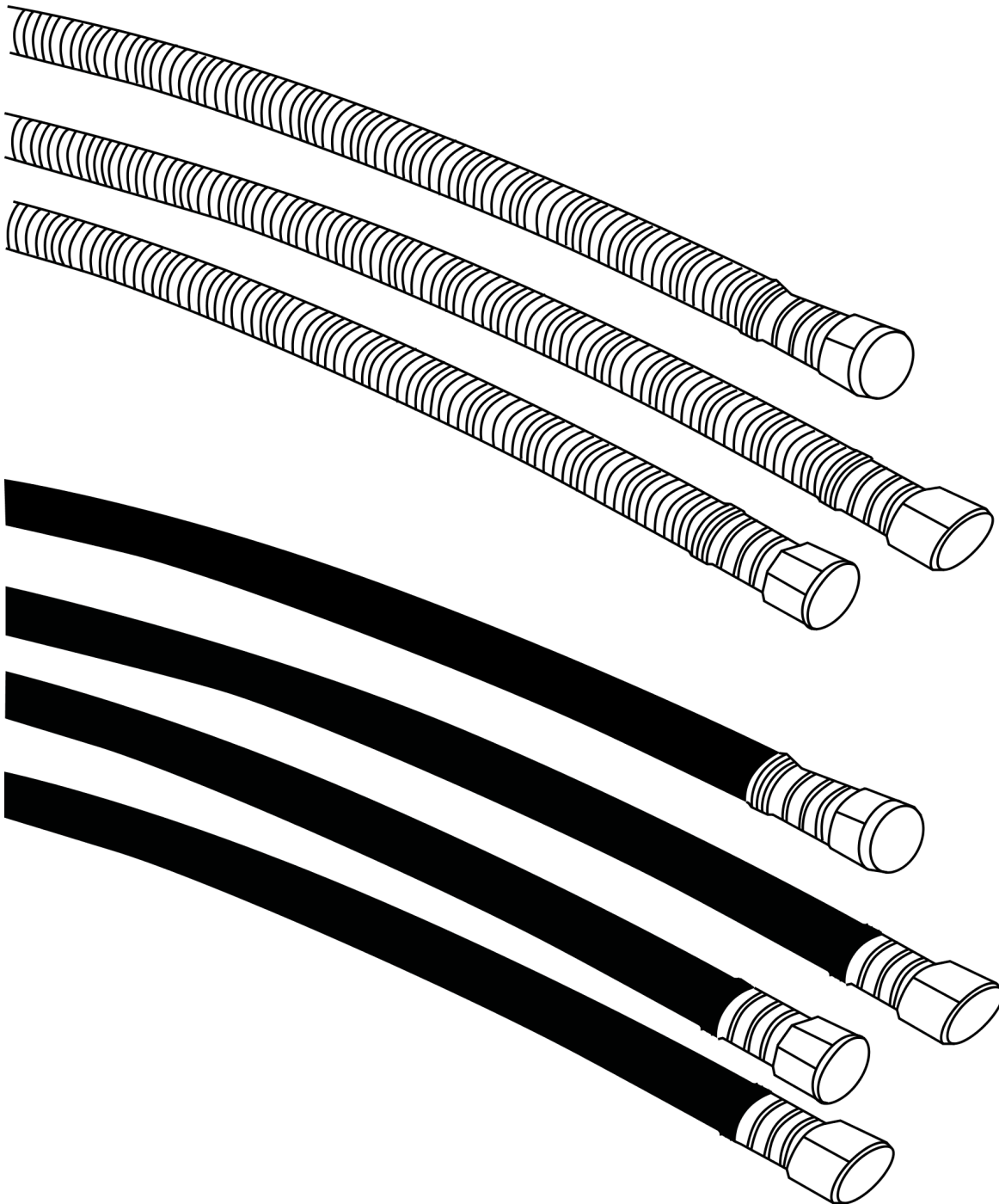
Item	Part No.	Name	Qty	L
1	3315277990	Bushing oversize, complete	1	
2	-	Bushing, Ø91.5 mm, Ø3.6 in.	1	
3	3315282500	Scraper ring	1	
4	0663210498	O-ring	4	

Options / accessories Optional equipment



Item	Part No.	Name	Qty	L
-	3363067123	Automatic lubrication system	1	
-	0909107100	LUBRICAT.GUN	1	
-	3363122355	BIO Chisel paste cartridge for grease gun, 12 x 400 g (0.88 lbs)	1	
-	3363122357	BIO Chisel paste container (15 kg)	1	
-	3363122358	BIO Chisel paste container (45 kg)	1	
-	3360920415	Filling device for accumulator	1	
-	3363094459	Nipple, for charging the accumulator	1	
-	3361329803	Filling hose for charging the accumulator	1	
-	3315353100	Bushing wear controller	1	

Options / accessories Hydraulic hoses



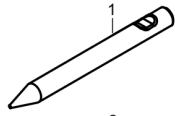
Item	Part No.	Name	Qty	L
Not Shown	-	Heavy duty connection hoses	-	
-	3360995717	Hose, both ends 18 L(M26 x 1.5) length 1500 mm	2	
-	3362235159	Hose, both ends 18 L(M26 x 1.5) length 2000 mm	2	
-	3363115426	Hose, both ends 18 L(M26x1.5) length 1750 mm	2	
-	3363083313	Hose, both ends 18 L(M26 x 1.5) length 2400 mm	2	
Not Shown	-	Standard connection hoses	-	
-	3363491002	Hose, both ends 18 L(M26x1.5) length 1500 mm	2	
-	3363115423	Hose, both ends 18 L(M26x1.5) length 1750 mm	2	
-	3363115424	Hose, both ends 18 L(M26x1.5) length 2000 mm	2	
-	3363115425	Hose, both ends 18 L(M26x1.5) length 2400 mm	2	
-	3363098018	Additional fitting kit	1	A

Comments for Page: Hydraulic hoses

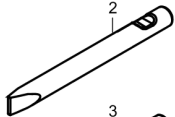
(L)OCAL REMARKS

A | Needed to fit two hoses to the hydraulic breaker

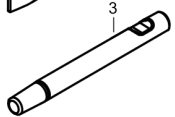
Options / accessories Working tools ClassicLine



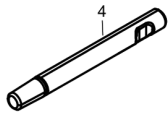
L=330 mm, LT=630 mm, Wt=13 kg
 L=12.99 inch, LT=24.8 inch, Wt= 28.66 lb



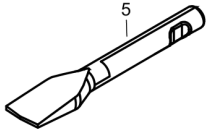
W= 65 mm, L=330 mm, LT=630 mm, Wt=14 kg
 W=2.56 inch, L= 12.99 inch, LT=24.8 inch, Wt=30.86 lb



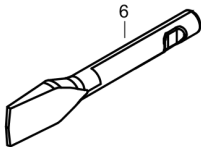
L=330 mm, LT=630 mm, Wt=15 kg
 L=12.99 inch, LT=24.8 inch, Wt=33.07 lb



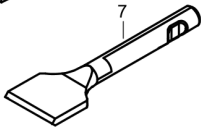
LT=630 mm, Wt=21 kg
 LT=24.8 inch, Wt=46.3 lb



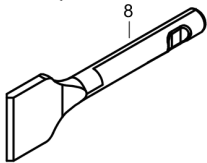
W=130 mm, L=350 mm, LT=650 mm, Wt=16 kg
 W=5.12 inch, L=13.78 inch, LT=25.6 inch, Wt=35.27 lb



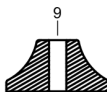
W=130 mm, L=350 mm, LT=650 mm, Wt=16kg
 W=5.12 inch, L=13.78 inch, LT=25.6 inch, Wt=35.27 lb



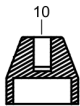
W=140 mm, L=350 mm, LT=650 mm, Wt=16 kg
 W=5.51 inch, L=13.78 inch, LT=25.6 inch, Wt=35.27 lb



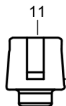
W=140 mm, L=350 mm, LT=650 mm, Wt=16 kg
 W=5.51 inch, L=11.02 inch, LT=25.6 inch, Wt=35.27 lb



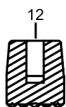
W= Ø300 mm, Wt=33 kg
 W= Ø11.81 inch, Wt=1.3 lb



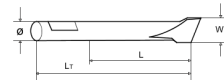
W=Ø150 mm, Wt=21 kg
 W= Ø5.9 inch, Wt=0.83 lb



W=Ø100 mm, Wt=9 kg
 W= Ø3.9 inch, Wt=0.35 lb

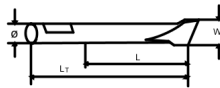
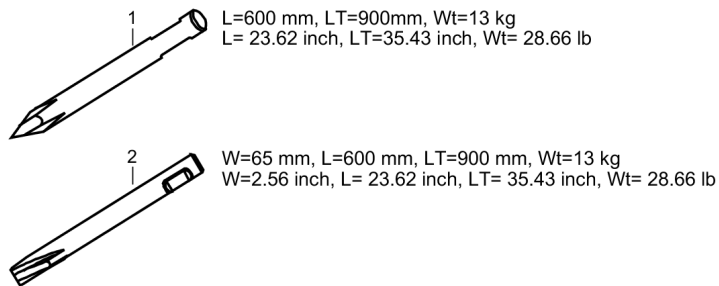


W=Ø130 , Wt=9,8 kg
 W= Ø5.1 inch, Wt=0.38 lb



Item	Part No.	Name	Qty	L
1	3083316206	Moil point	1	
2	3083316105	Chisel (cross)	1	
3	3083341105	Blunt tool	1	
4	3315370205	Shaft	1	
5	3083316300	Wide chisel (cross)	1	
6	3083316700	Wide chisel (parallel)	1	
7	3083340946	Asphalt cutter (cross)	1	
8	3083340947	Asphalt cutter (parallel)	1	
9	3315370900	Tamping pad (square)	1	
10	3315371700	Post driver pad (round)	1	
11	3315372300	Pile driver pad (round)	1	
12	3315373000	Bushing pad (round)	1	

Options / accessories Working tools ProLine



Item	Part No.	Name	Qty	L
1	3363120263	Moil point (X-Profile)	1	
2	3363120264	Chisel (X-profile)	1	

Annex Environmental Product Compliance - REACH Declaration

**NO EXPLODED VIEW
AVAILABLE
FOR THIS BOM**

Item	Part No.	Name	Qty	L
34	-	Pressure relief valve, complete, Part No. 3315335000 - CAS No. 7439-92-1	-	

Any unauthorized use or copying of the contents or any part thereof is prohibited.
This applies in particular to trademarks, model denominations, part numbers, and drawings.