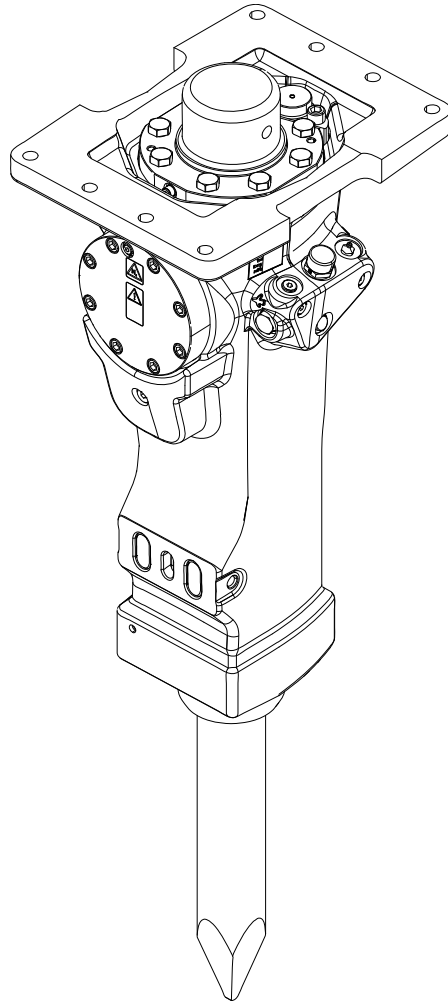


# SB 302

---

## Spare parts list Hydraulic breakers

SB 302 s/n BES043707 –



# General information

This spare parts list applies to the following:

Part number	Description
8460030060	SB 302

Use only authorized parts. Any damage or malfunction caused by the use of unauthorized parts is not covered by Warranty or Product Liability. Any unauthorized use or copying of the contents or any part thereof is prohibited. This applies in particular to trademarks, model denominations, part numbers, and drawings.

## Instructions for use

This spare parts list contains no safety regulations and is merely intended to assist in the ordering of spare parts.

For information about operating, servicing, or repairing, the relevant Safety and operating instructions must be consulted at all costs.

Please observe the safety instructions listed in the relevant Safety and operating instructions!

**Service, repair and wear part kits**

Label kit ..... 1  
Seal kit ..... 3  
Lower hammer part kit ..... 5  
Accumulator repair kit ..... 7

**Mechanical**

Hydraulic breaker ..... 9  
HATCON (Horizontal) ..... 13  
Optional parts - Bushing oversize, complete ..... 15  
Optional parts - Restrictor, complete ..... 17  
Tightening torque ..... 19  
Dimensions (mm) ..... 21

**Options/accessories**

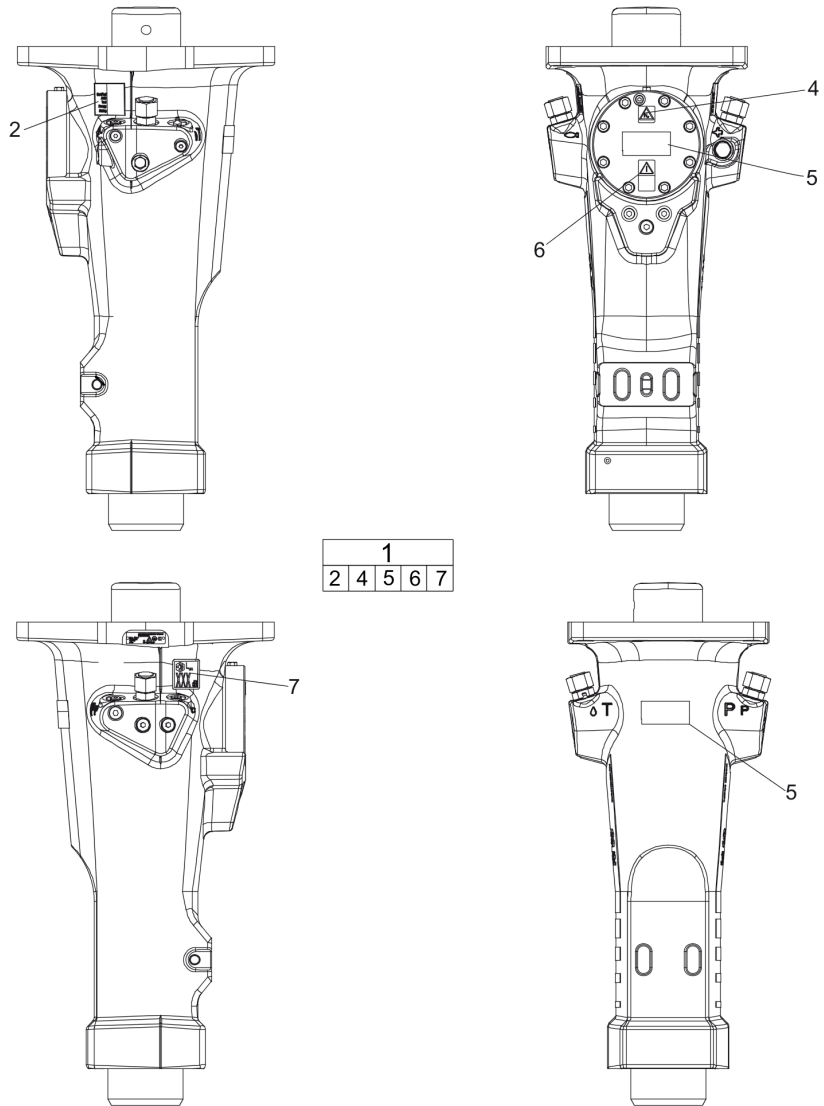
Retrofit ..... 22  
Working tools ClassicLine ..... 25  
Working tools ProLine ..... 27  
Optional equipment ..... 29  
Optional - Tool retainer XL ..... 31  
Hydraulic hoses ..... 33

**Annex**

Environmental Product Compliance - REACH Declaration ..... 35

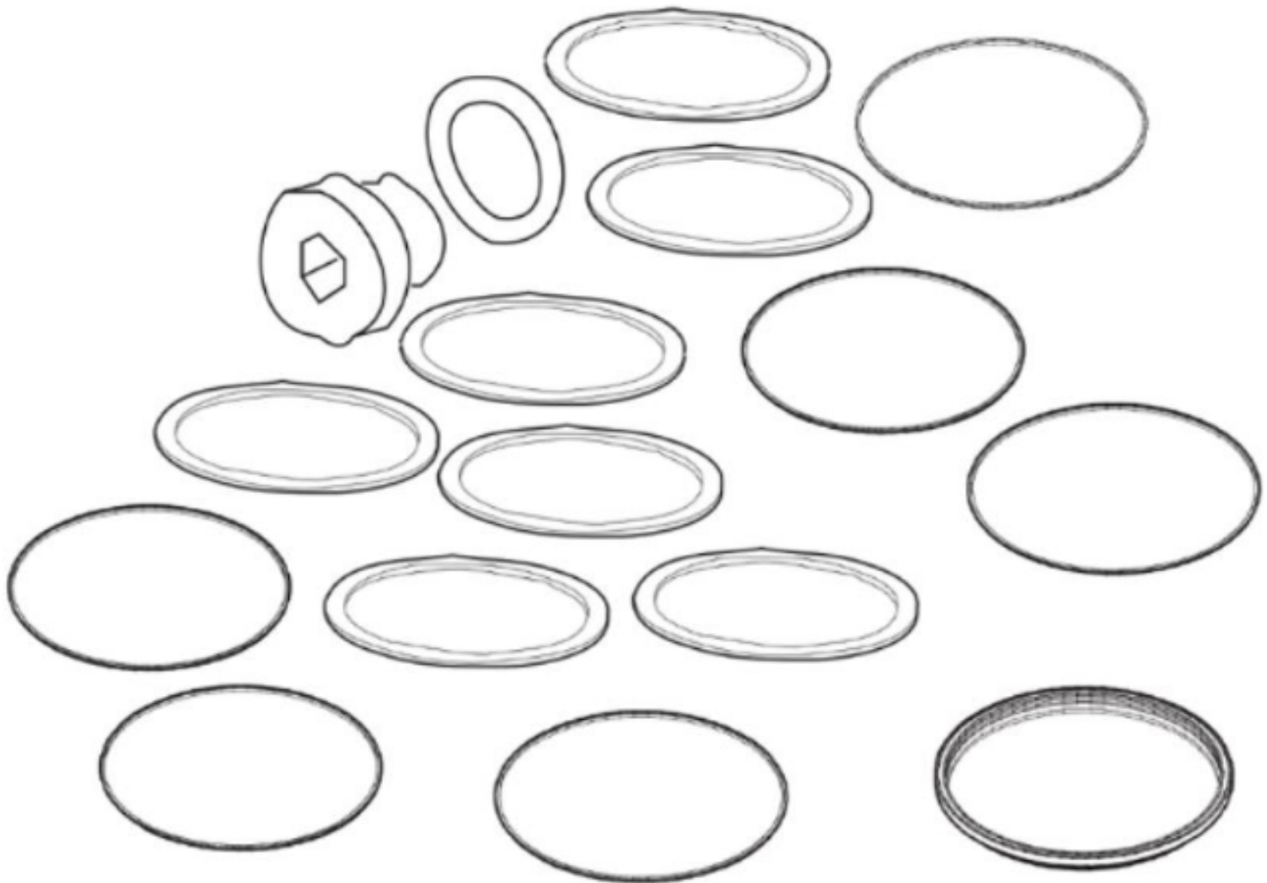


Service, repair and wear part kits Label kit



Item	Part No.	Name	Qty	L
1	3315349390	LABEL SET	1	
2		AEM sign	1	
4		AEM sign	1	
5		AEM sign	2	
6		AEM sign	1	
5		AEM sign	2	
7		AEM sign	1	

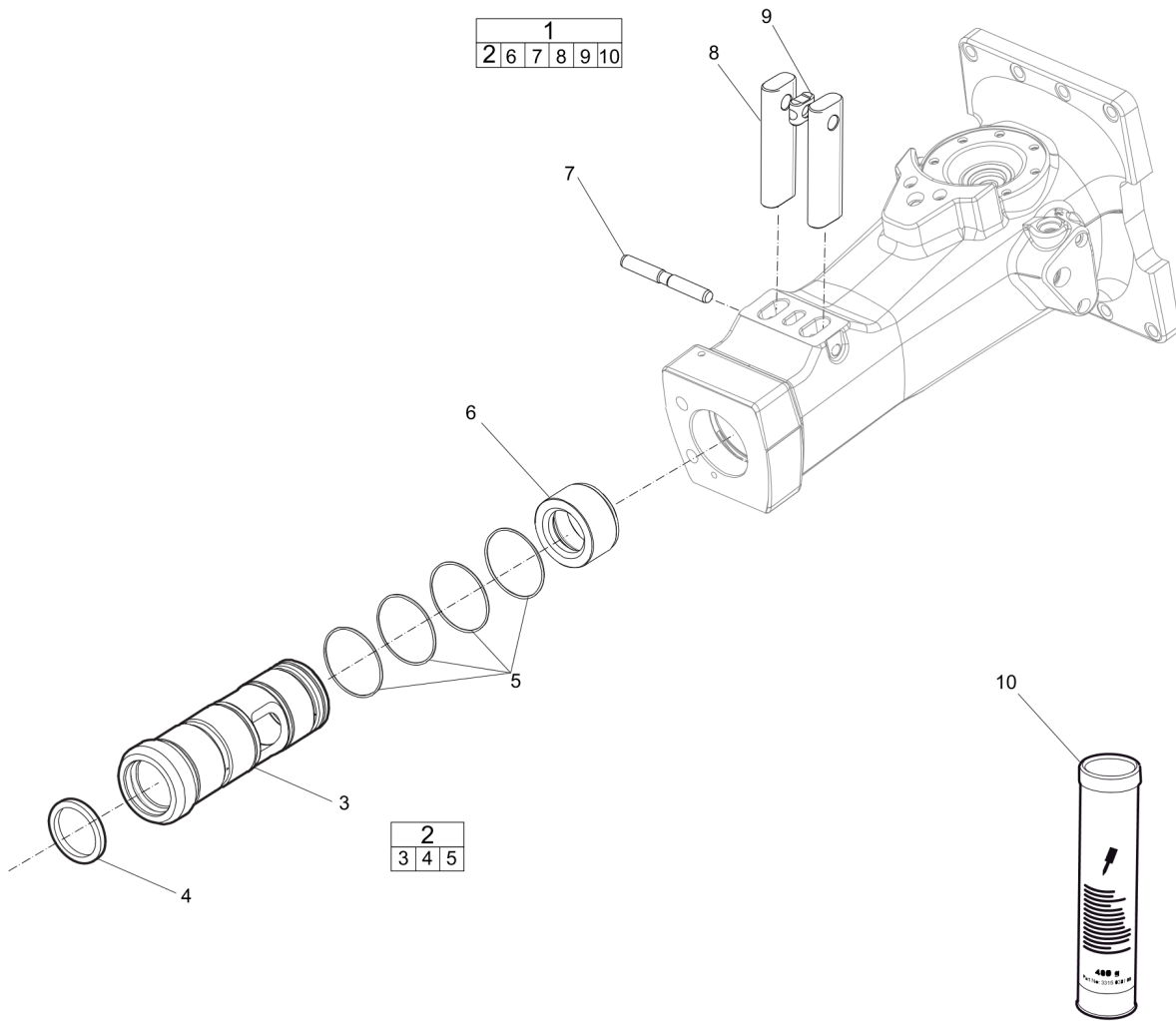
Service, repair and wear part kits Seal kit



Item	Part No.	Name	Qty	L
1	3315301890	SEAL KIT	1	
-	3315325000	SCRAPER RING	1	
-	0663212000	O-RING	1	
-	0661100024	SEAL WASHER	1	
-	3115329002	SEAL RING	1	
-	0663210617	O-RING	4	
-	0663210669	O-RING	1	
-	0663211400	O-RING	1	
-	0663990031	SEAL RING	9	
-	0663211444	O-RING	2	
-	0663210421	O-RING	2	
-	0663212141	O-RING	2	
-	0661200401	BACK-UP RING	1	
-	0665090014	SEAL RING	2	
-	3315336700	PLUG	1	
-	0665909957	Wiper	1	
-	0665070137	PISTON ROD SEAL	1	
-	0665070146	PISTON ROD SEAL	1	
-	3315280800	VALVE RUBBER	1	



Service, repair and wear part kits Lower hammer part kit



Item	Part No.	Name	Qty	L
1	3315301990	Lower hammer part kit	1	
2	3315301980	BUSHING SET	1	
3	-	BUSHING	1	
4	3315325000	SCRAPER RING	1	
5	0663210617	O-RING	1	
6	3315301400	STOP RING	1	
7	3315203100	LOCK PIN	1	
8	3315203000	TOOL RETAINER	2	
9	3315141900	LOCK BUFFER	1	
10	-	Chisel paste cartridge 400 g	1	

Service, repair and wear part kits Accumulator repair kit

NO EXPLODED VIEW  
AVAILABLE  
FOR THIS BOM

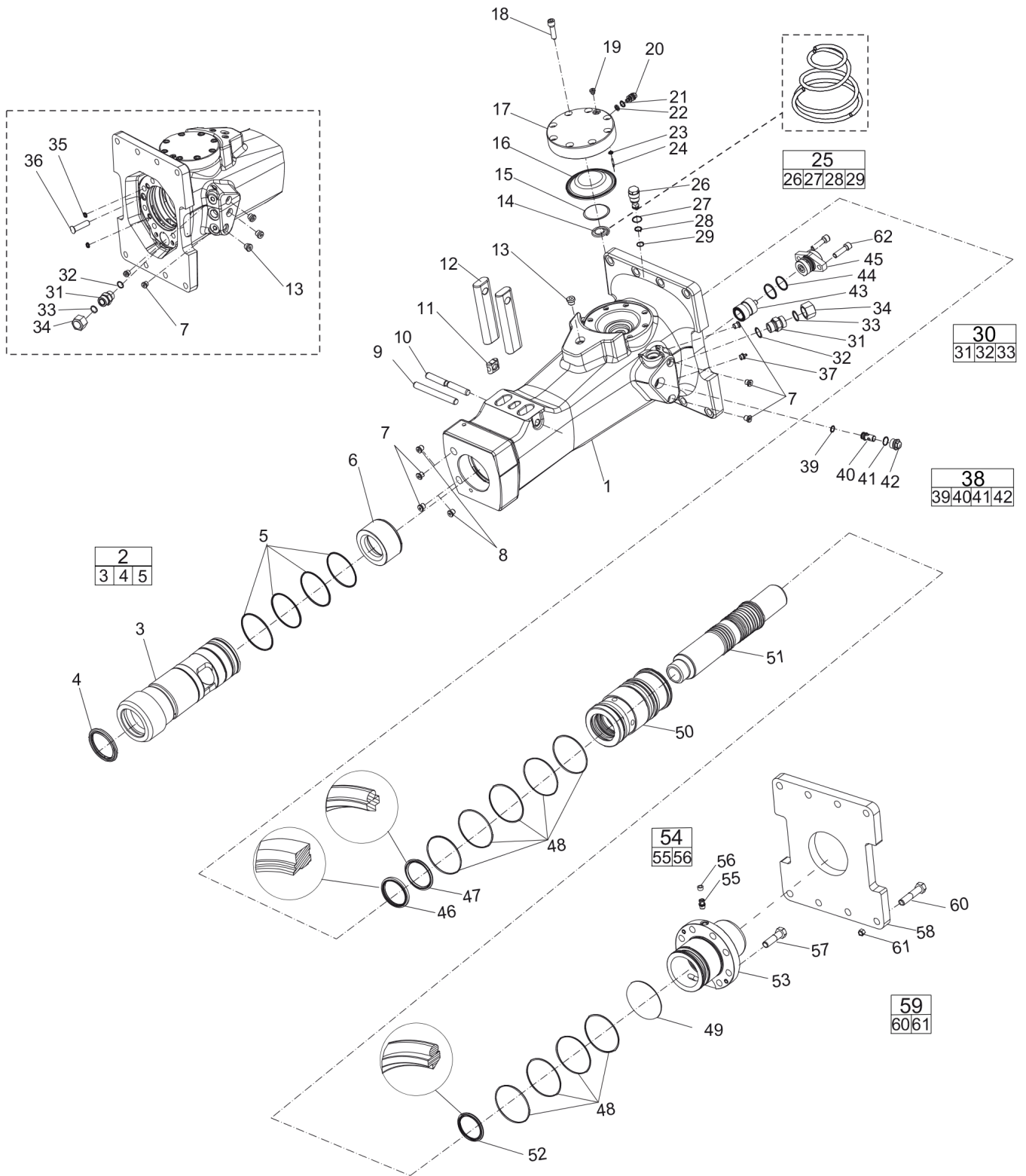
Item	Part No.	Name	Qty	L
1	3315348790	ACCUM.REP.KIT	1	
-	3315303500	COIL SPRING	1	
-	3315400700	Diaphragm support	1	
-	3315235000	DIAPHRAGM	1	
-	3115329002	SEAL RING	1	
-	0663212000	O-RING	1	
-	3315366000	VALVE	1	
-	0663211400	O-RING	1	
-	0101414000	PIN	1	
-	0211196534	HEX SOCK. SCREW	8	A
-	0686371805	PLUG	1	

Comments for Page: Accumulator repair kit

(L)OCAL REMARKS

A | Screw with extra high fatigue strength.

Mechanical Hydraulic breaker



Refer to the DocMine web page for most up-to-date information. The printed information might be outdated.  
Mon Mar 01 10:07:51 UTC 2021

Item	Part No.	Name	Qty	L
1	-	Breaker body	1	
2	3315301980	BUSHING SET	1	A
3	--	Bushing, Ø110 mm , Ø4.33 in.	1	
4	3315325000	SCRAPER RING	1	
5	0663210617	O-RING	4	
6	3315301400	STOP RING	1	
7	0686644207	PLUG	7	B
8	3315395200	Water Nossle	2	
9	0108169128	SPRING PIN	1	C
10	3315203100	LOCK PIN	1	
11	3315141900	LOCK BUFFER	1	
12	3315203000	TOOL RETAINER	2	
13	0686371801	PLUG	4	D
14	3315303500	COIL SPRING	1	
15	3315400700	Diaphragm support	1	
16	3315235000	DIAPHRAGM	1	
17	3315348700	ACCUMULAT.HOUSE	1	
18	0211196534	HEX SOCK. SCREW	8	E
19	0686371805	PLUG	1	F
20	3315366000	VALVE	1	
21	0663212000	O-RING	1	
22	3115329002	SEAL RING	1	
23	0663211400	O-RING	1	
24	0101414000	PIN	1	
25	3315365800	PRESS.REL.VALVE	1	G
26	--	Pressure relief valve	1	
27	0663212141	O-RING	1	
28	0663210421	O-RING	1	
29	0661200401	BACK-UP RING	1	
30	0580001845	Nipple, complete	1	H
31	--	Nipple	2	I
32	0664000004	SEAL RING	1	
33	0663905501	O-RING		
34	0570700010	CAP	2	
35	0665090014	SEAL RING	2	
36	3315336700	PLUG	1	
37	0544215300	GREASE NIPPLE	1	

Refer to the DocMine web page for most up-to-date information. The printed information might be outdated.

Mon Mar 01 10:07:51 UTC 2021

Item	Part No.	Name	Qty	L
38	3315369464	RESTRICTION SET	1	J
39	0663210421	O-RING	1	
40	--	Restrictor standard, Ø6.4 mm, Ø0.25 in.	1	
41	0663212141	O-RING	1	
42	3315369200	Restrictor plug	1	
43	3315277600	SLIDE	1	
44	0663211444	O-RING	2	
45	3315352013	Valve cover	1	
46	0665909957	Wiper	1	
47	0665070137	PISTON ROD SEAL	1	
48	0663990031	SEAL RING	9	
49	0663210669	O-RING	1	
50	3315301700	LINER	1	
51	3315302100	PISTON	1	
52	0665070146	PISTON ROD SEAL	1	
53	3315302000	BACK HEAD	1	
54	3315244881	CHECK VALVE	1	
55	--	Check valve	1	
56	3315280800	VALVE RUBBER	1	
57	0147148103	SCREW, HEX HEAD	8	
58	3315356600	BASE PLATE	1	
59	3315365360	SCREW SET	1	
60	--	Screw, M16 x 90 mm 8.8	8	
61	--	Nut, M16	8	
62	0211110349	Screw, M14 x 65 mm	2	K

Comments for Page: Hydraulic breaker

(L)OCAL REMARKS

A | For oversize bushings, see section "Bushing oversize, complete".

B | VSTI R 1/4 - ED

C | Option

D | VSTI R 3/8 - ED

E | Screw with extra high fatigue strength.

F | VSTI R 1/8 - ED

G | CAS No. see chapter "Environmental Product Compliance - REACH Declaration"

H | There are two "Nipple, complete" on the machine.

I | 1 3/16 - 12UN G 3/4 A

Refer to the DocMine web page for most up-to-date information. The printed information might be outdated.

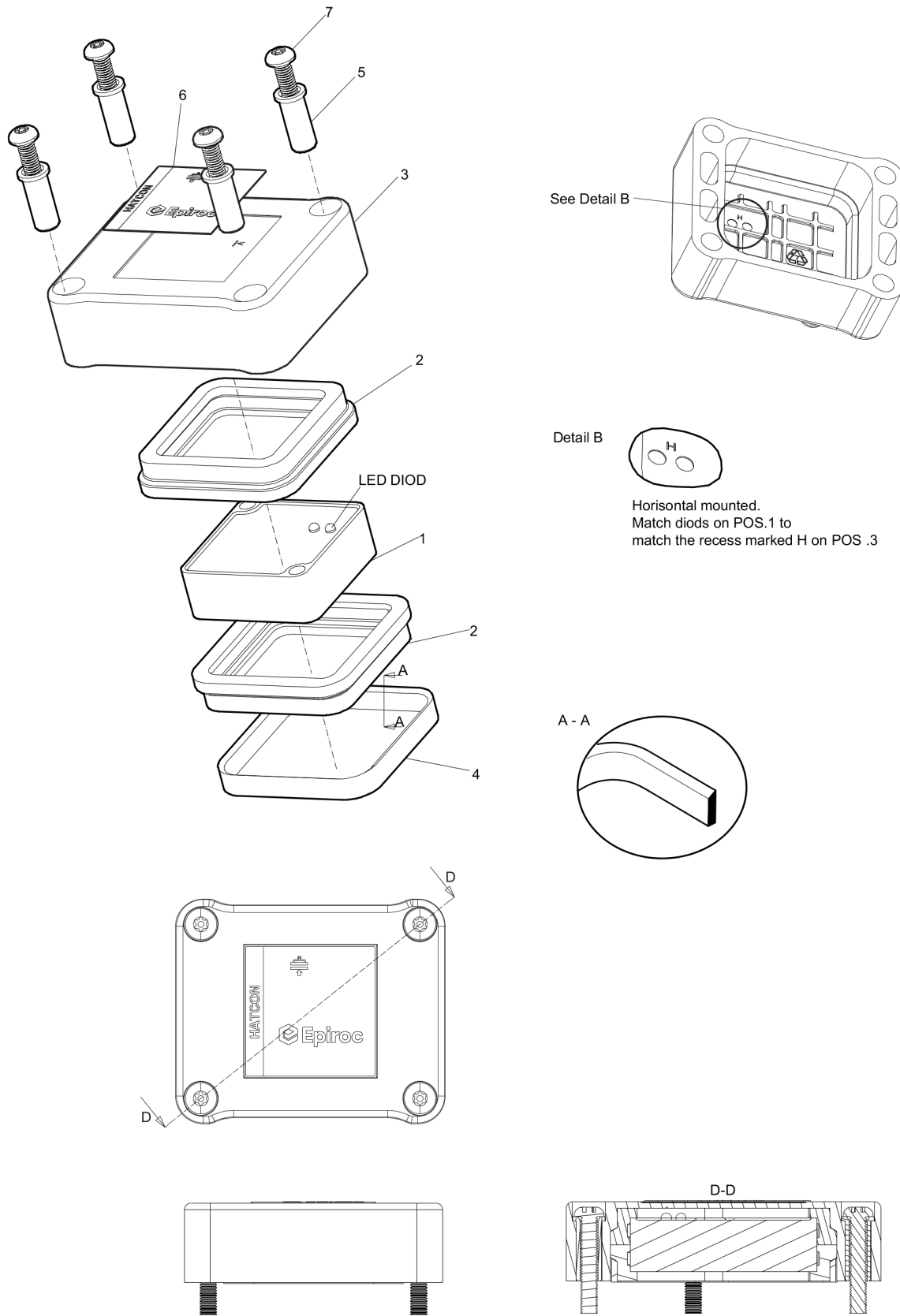
Mon Mar 01 10:07:51 UTC 2021

J | For more restrictors, see section "Restrictor, complete".

K | Screw with extra high fatigue strength.



Mechanical HATCON (Horizontal)



Refer to the DocMine web page for most up-to-date information. The printed information might be outdated.  
Mon Mar 01 10:07:51 UTC 2021

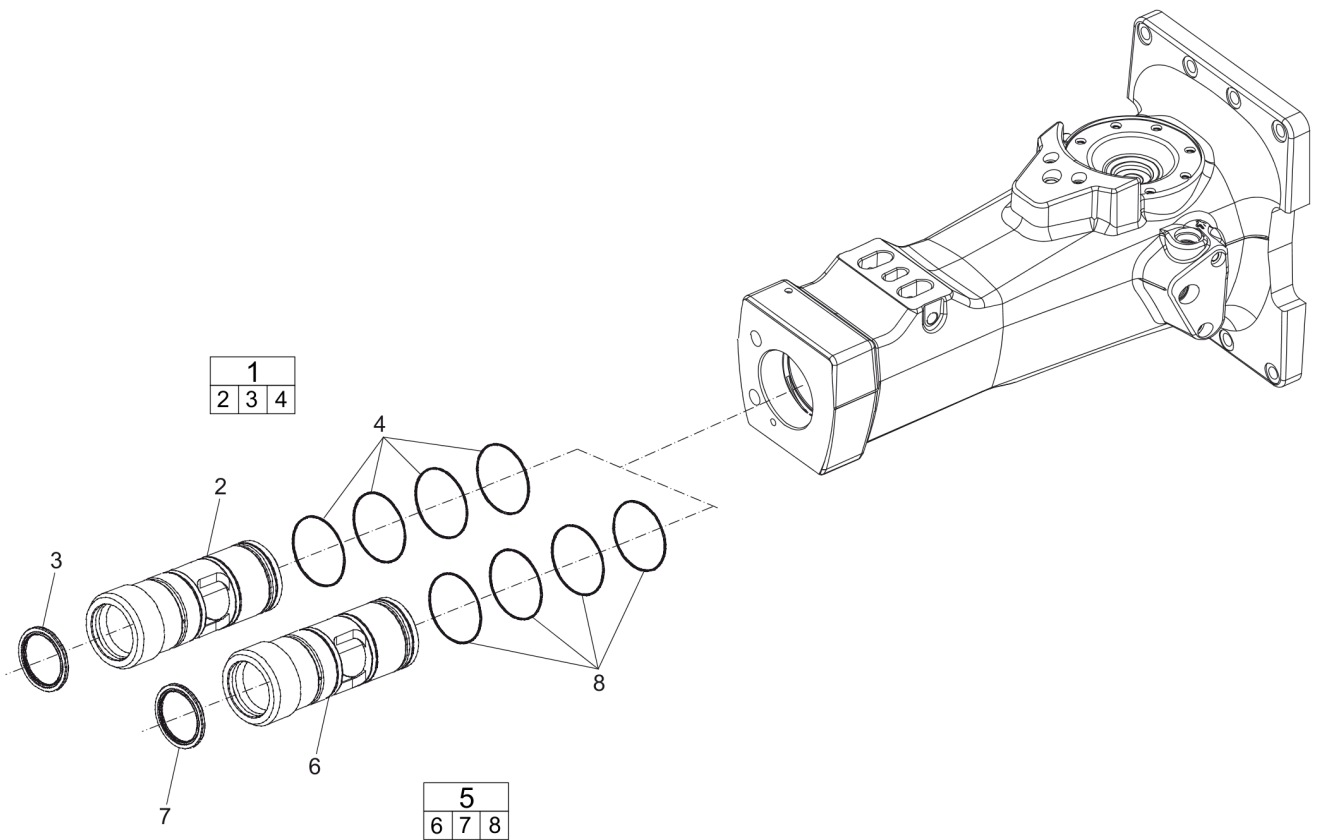
Item	Part No.	Name	Qty	L
1		Tracking module HATCON	1	
2	3315439130	Damper HATCON	2	
3	3315439110	Housing type 1 HATCON	1	
4	3315439140	Lock ring HATCON	1	
5	3315439120	Sleeve HATCON	4	
6	3315439100	Product label HATCON	1	
7	3315442600	Screw HATCON	4	

---

Refer to the DocMine web page for most up-to-date information. The printed information might be outdated.

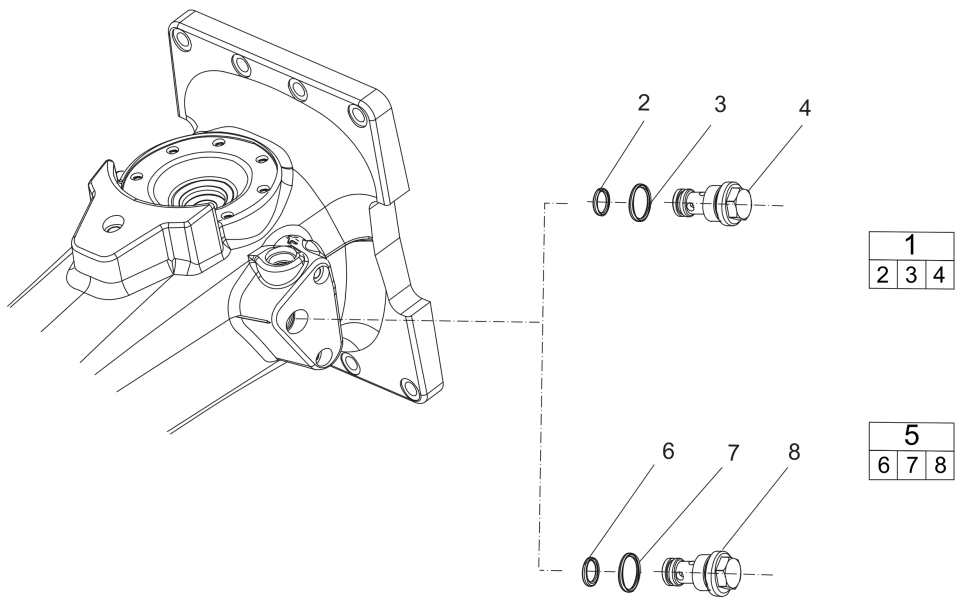
Mon Mar 01 10:07:51 UTC 2021

Mechanical Optional parts - Bushing oversize, complete



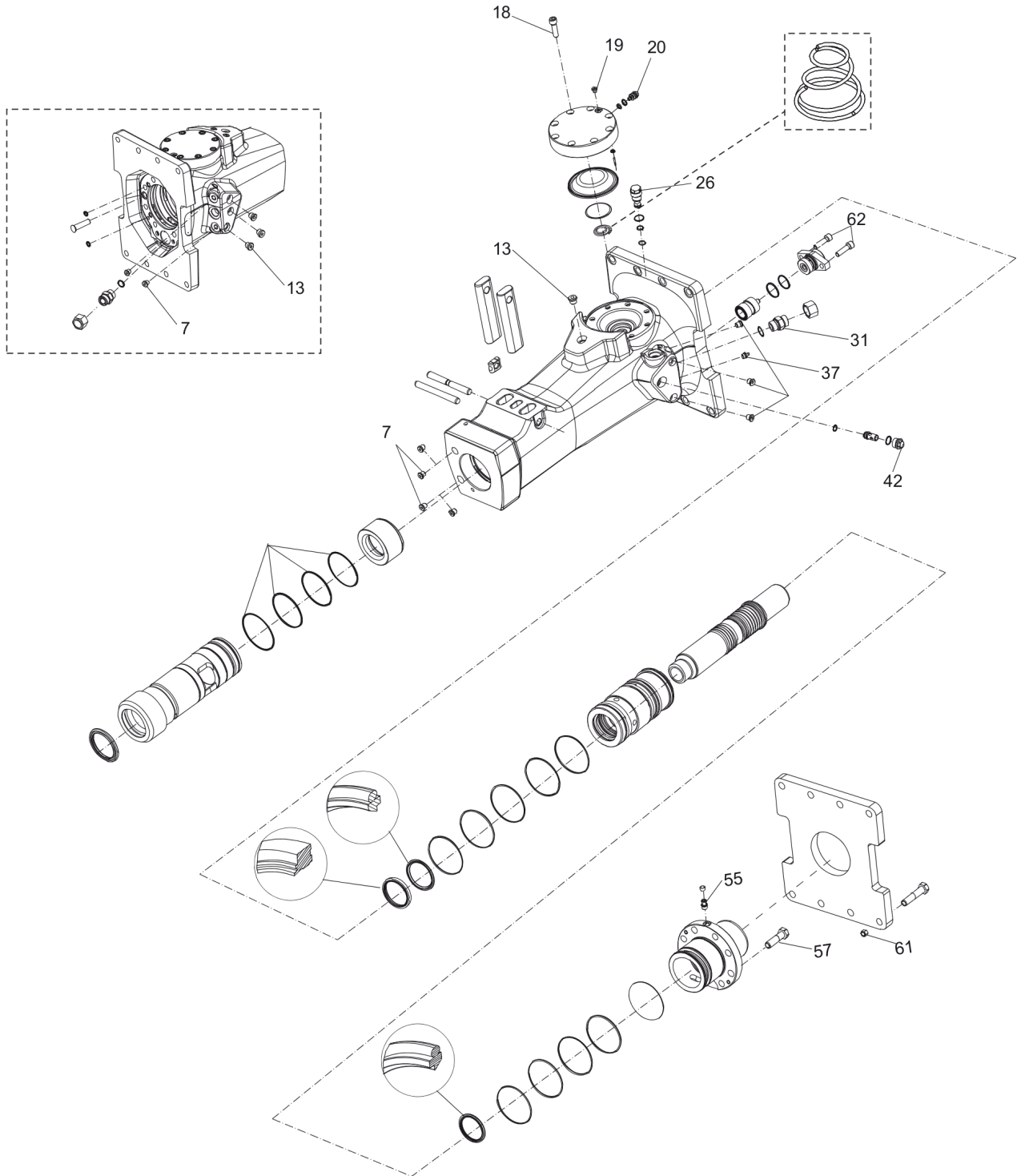
Item	Part No.	Name	Qty	L
1	3315301960	BUSHING SET	1	
2	--	Bushing, Ø111.5 mm, Ø4.39 in.	1	
3	3315325000	SCRAPER RING	1	
4	0663210617	O-RING	4	
5	3315301963	BUSHING SET	1	
6	--	Bushing, Ø113 mm, Ø4.45 in.	1	
7	3315325000	SCRAPER RING	1	
8	0663210617	O-RING	4	

Mechanical Optional parts - Restrictor, complete



Item	Part No.	Name	Qty	L
1	3315369454	Restrictor, complete (optional)	1	
2	0663210421	O-RING	1	
3	0663212141	O-RING	1	
4	-	Restrictor, Ø5.4 mm, Ø0.21 in.	1	
5	3315369460	Restrictor, complete	1	
6	0663210421	O-RING	1	
7	0663903201	O-RING	1	
8	-	Restrictor, Ø6.0 mm, Ø0.24 in.	1	

Mechanical Tightening torque



Refer to the DocMine web page for most up-to-date information. The printed information might be outdated.  
Mon Mar 01 10:07:52 UTC 2021

Item	Part No.	Name	Qty	L
7	-	Plug - 30 Nm	-	A
13	-	Hexagon socket plug - 80 Nm	-	B
18	-	Hexagon socket screw - 120 Nm	-	C
19	-	Plug - 20 Nm	-	
20	-	Charge valve - 27 Nm	-	
26	-	Pressure relief valve - 80 Nm	-	
31	-	Nipple - 210 Nm	-	
37	-	Grease nipple - 30 Nm	-	
42	-	Restrictor plug - 80 Nm	-	
55	-	Check valve - 30 Nm	-	J
57	-	Hexagon head screw - 180 Nm	-	K
61	-	Nut - 200 Nm	-	L
62	-	Hexagon socket screw - 180 Nm	-	M

Comments for Page: Tightening torque

LOCTITE is a registered trademark of Henkel Corporation. 243 is a trademark of Henkel Corporation.

Molykote is a registered trademark of Dow Corning Corporation.

(L)OCAL REMARKS

A | LOCTITE® 243™

B | LOCTITE® 243™

C | Molykote®

J | LOCTITE® 243™

K | Molykote®

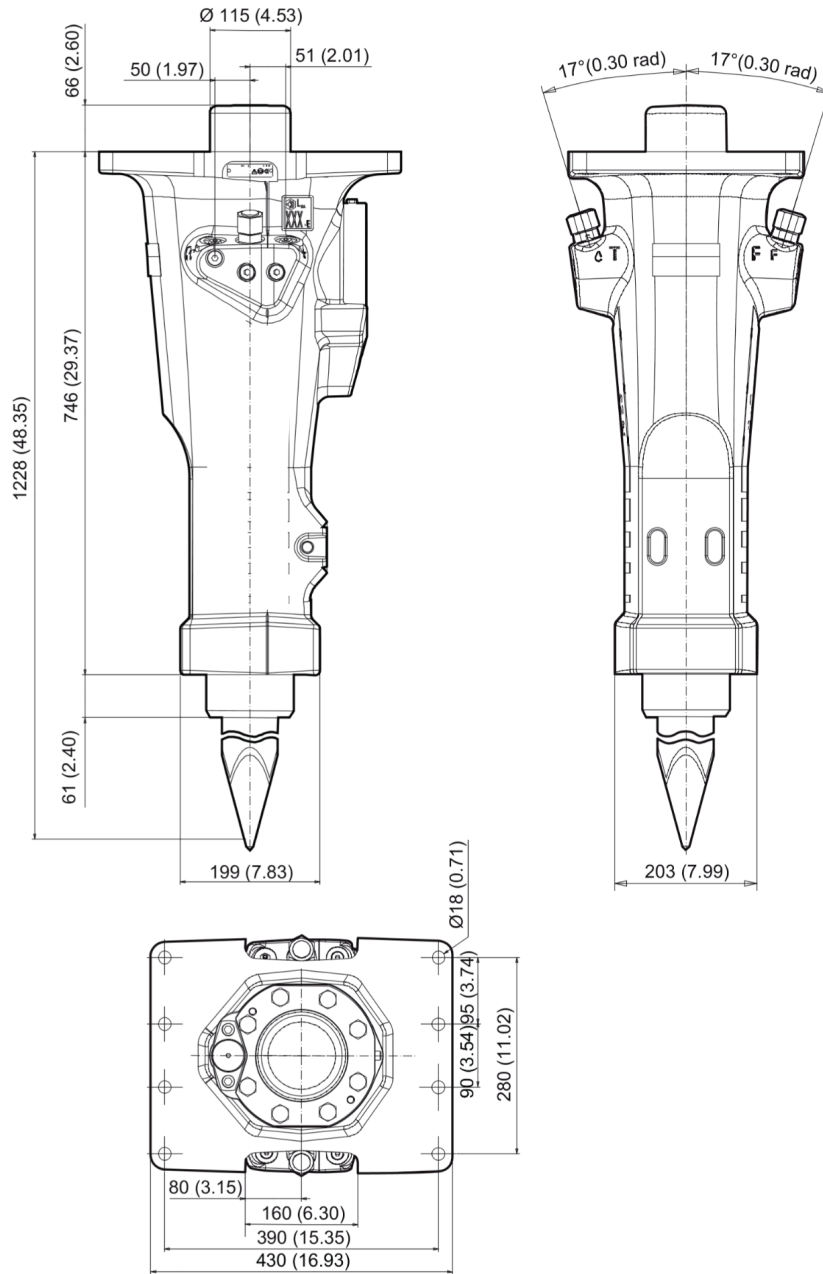
L | Molykote®

M | Molykote®



Mechanical Dimensions (mm)

Dimensions Dimensions (mm)

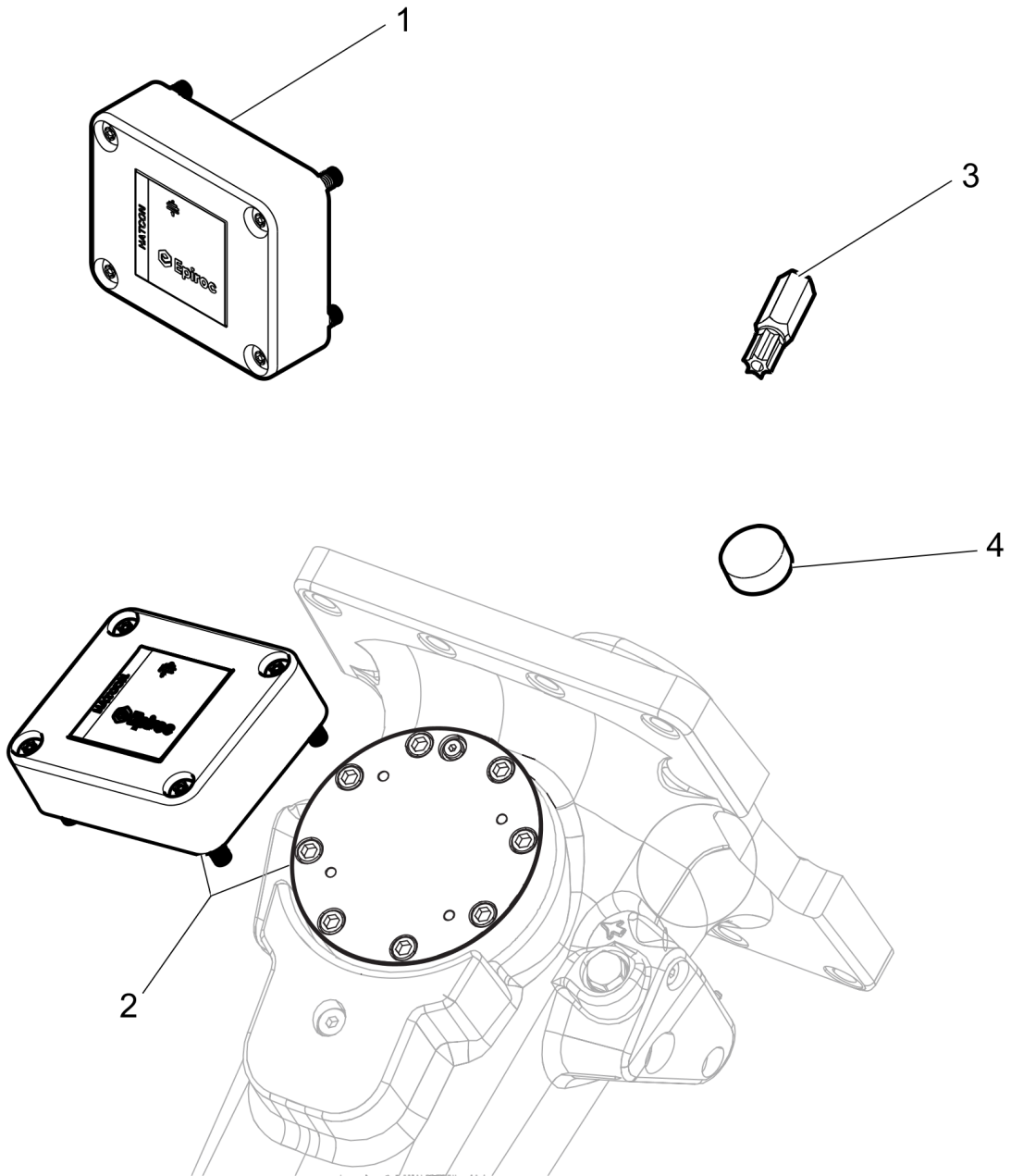


Refer to the DocMine web page for most up-to-date information. The printed information might be outdated.

Mon Mar 01 10:07:53 UTC 2021

This page intentionally left blank

Options/accessories Retrofit



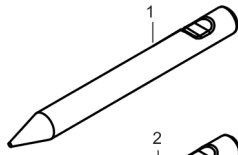
Item	Part No.	Name	Qty	L
1	3315442500	Retrofit kit HATCON	1	A
2	3315442510	Retrofit with accumulator house	1	B
3	3315439105	Security bit HATCON	1	
4	3315439106	Magnet HATCON	1	

Comments for Page: Retrofit

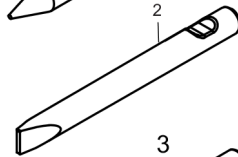
A | Valid from BES124899

B | Valid before BES124898

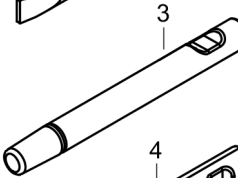
Options/accessories Working tools ClassicLine



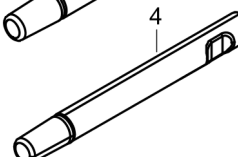
L=380 mm, LT=760 mm, Wt=28 kg  
L=14.96 inch, LT=29.92 inch, Wt= 61.7 lb



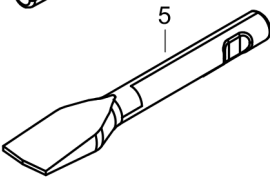
W=80 mm, L=380 mm, LT=760 mm, Wt=28 kg  
W=3.15 inch, L=14.96 inch, LT=29.92 inch, Wt=61.7 lb



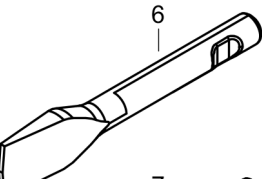
L=380 mm, LT=760 mm, Wt=30 kg  
L=14.96 inch, LT=31.5 inch, Wt=66.1 lb



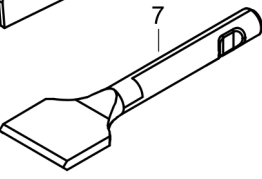
LT=760 mm, Wt=15 kg  
LT=29.92 inch, Wt=33.1 lb



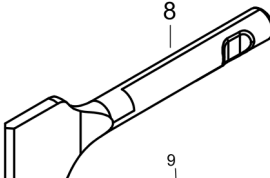
W=150 mm, L=390 mm, LT=770 mm, Wt=26 kg  
W=5.91 inch, L=15.35 inch, LT=30.31 inch, Wt=57.3 lb



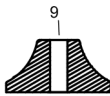
W=150 mm, L=390 mm, LT=770 mm, Wt=26 kg  
W=5.91 inch, L=15.35 inch, LT=30.31 inch, Wt=57.3 lb



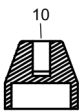
W=200 mm, L=420mm, LT=720 mm, Wt=27 kg  
W=7.09 inch, L=16.54 inch, LT=28.35 inch, Wt=59.5 lb



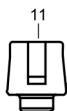
W=200 mm, L=420 mm, LT=720 mm, Wt=27 kg  
W=7.09 inch, L=16.54 inch, LT=28.35 inch, Wt=59.5 lb



W= Ø300 mm, Wt=33 kg  
W= Ø11.81 inch, Wt=1.3 lb



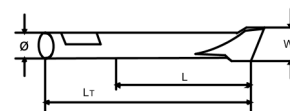
W=Ø150 mm, Wt=21 kg  
W= Ø5.9 inch, Wt=0.83 lb



W=Ø100 mm, Wt=9 kg  
W= Ø3.9 inch, Wt=0.35 lb

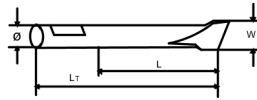
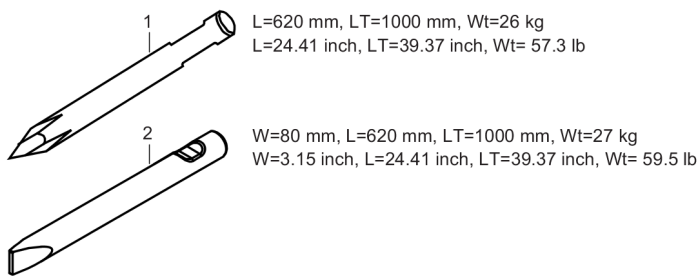


W=Ø130 , Wt=9.8 kg  
W= Ø5.1 inch, Wt=0.38 lb



Item	Part No.	Name	Qty	L
1	3083319106	MOIL POINT	1	
2	3083319205	Chisel (cross)	1	
3	3083319506	Blunt tool	1	
4	3315370305	Shaft	1	
5	3083319300	Wide chisel (cross)	1	
6	3083319400	Wide chisel (parallel)	1	
7	3083340944	Asphalt cutter (cross)	1	
8	3083340945	Asphalt cutter (parallel)	1	
9	3315370900	Tamping pad (square)	1	
10	3315371700	Post driver pad (round)	1	
11	3315372300	Pile driver pad (round)	1	
12	3315373000	Bushing pad (round)	1	

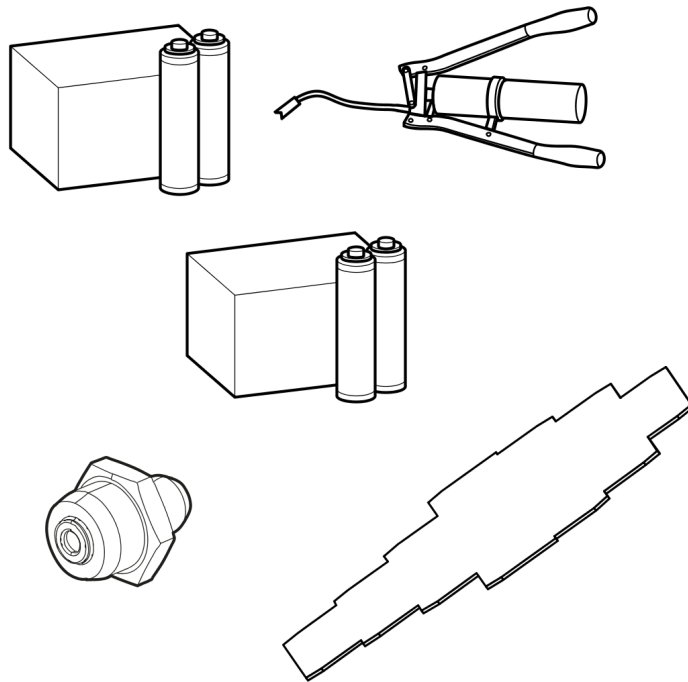
Options/accessories Working tools ProLine



Item	Part No.	Name	Qty	L
1	3363120265	Moil point (X-Profile)	1	
2	3363120266	Chisel (X-profile)	1	

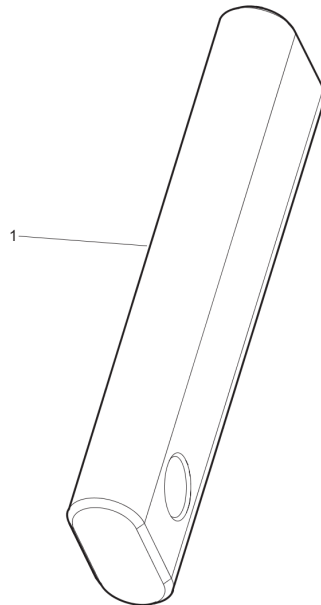


Options/accessories Optional equipment



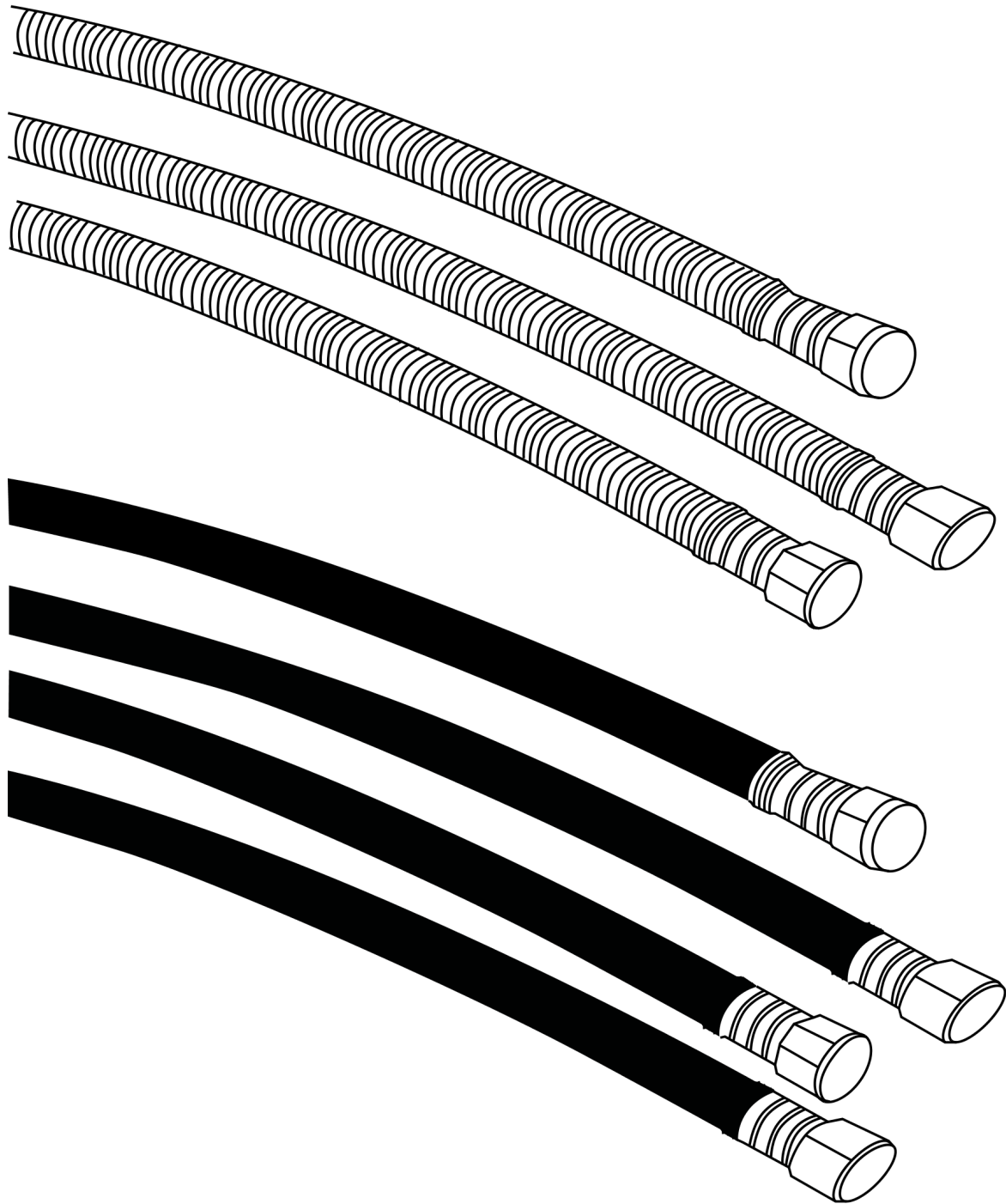
Item	Part No.	Name	Qty	L
-	3363067123	Automatic lubrication system	1	
-	0909107100	LUBRICAT.GUN	1	
-	3363122355	BIO Chisel paste cartridge for grease gun, 12 x 400 g (0.88 lbs)	1	
-	3363122357	BIO Chisel paste container (15 kg)	1	
-	3363122358	BIO Chisel paste container (45 kg)	1	
-	3360920415	Filling device for accumulator	1	
-	3363094459	Nipple, for charging the accumulator	1	
-	3361329803	Filling hose for charging the accumulator	1	
-	3315353100	Bushing wear controller	1	

Options/accessories Optional - Tool retainer XL



Item	Part No.	Name	Qty	L
1	3315155710	Tool retainer	1	

Options/accessories Hydraulic hoses



Item	Part No.	Name	Qty	L
Not Shown	-	Heavy duty connection hoses	-	
-	3360995717	Hose, both ends 18 L(M26 x 1.5) length 1500 mm	2	
-	3362235159	Hose, both ends 18 L(M26 x 1.5) length 2000 mm	2	
-	3363083313	Hose, both ends 18 L(M26 x 1.5) length 2400 mm	2	
-	3363115426	Hose, both ends 18 L(M26x1.5) length 1750 mm	2	
Not Shown	-	Standard connection hoses	-	
-	3363491002	Hose, both ends 18 L(M26x1.5) length 1500 mm	2	
-	3363115423	Hose, both ends 18 L(M26x1.5) length 1750 mm	2	
-	3363115424	Hose, both ends 18 L(M26x1.5) length 2000 mm	2	
-	3363115425	Hose, both ends 18 L(M26x1.5) length 2400 mm	2	
-	3363098019	Additional fitting kit( needed to fit two hoses to the hydraulic breaker)	1	

Annex Environmental Product Compliance - REACH Declaration

NO EXPLODED VIEW  
AVAILABLE  
FOR THIS BOM

Item	Part No.	Name	Qty	L
25	-	Pressure relief valve, complete, Part No. 3315365800 - CAS No. 7439-92-1	-	

Comments for Page: Environmental Product Compliance - REACH Declaration

EU REACH Candidate List substances present in product listed above.









Any unauthorized use or copying of the contents or any part thereof is prohibited. This applies in particular to trademarks, model denominations, part numbers and drawings.