

WEDA D30/S30/D40 ESF



Spare Parts List

Portable Dewatering Pump

WEDA D30/S30/D40 ESF s/n ESF113014 -

General information

Use only authorized parts. Any damage or malfunction caused by the use of unauthorized parts is not covered by Warranty or Product Liability. Any unauthorized use or copying of the contents or any part thereof is prohibited. This applies in particular to trademarks, model denominations, part numbers, and drawings.

Instructions for use

This spare parts list contains no safety regulations and is merely intended to assist in the ordering of spare parts.

For information about operating, servicing, or repairing, the relevant Safety and operating instructions must be consulted at all costs.

Please observe the safety instructions listed in the relevant Safety and operating instructions!

Kits and consumables	1
Overview units WEDA S30	3
Top housing unit WEDA D30/S30/D40	5
Starter unit terminal board	7
Starter unit contactor control relay	9
Starter unit capacitor	11
Starter unit contactor, toroid trafo	13
Starter unit contactor toroid trafo control relay	15
Motor unit WEDA S30	17
SEAL UNIT W30/S30/40	19
Wet end unit WEDA S30	21
Discharge unit 3-3" HOSE WEDA S30	23
Discharge unit 3-3" BSP/NPT WEDA S30	25
Cable unit with plug	27
Cable unit	29
Plug CEE kit 16A 400V	31
O-Ring kit WEDA S30	33
Zinc anode kit WEDA S30	35
Float switch unit	37

Kits and consumables

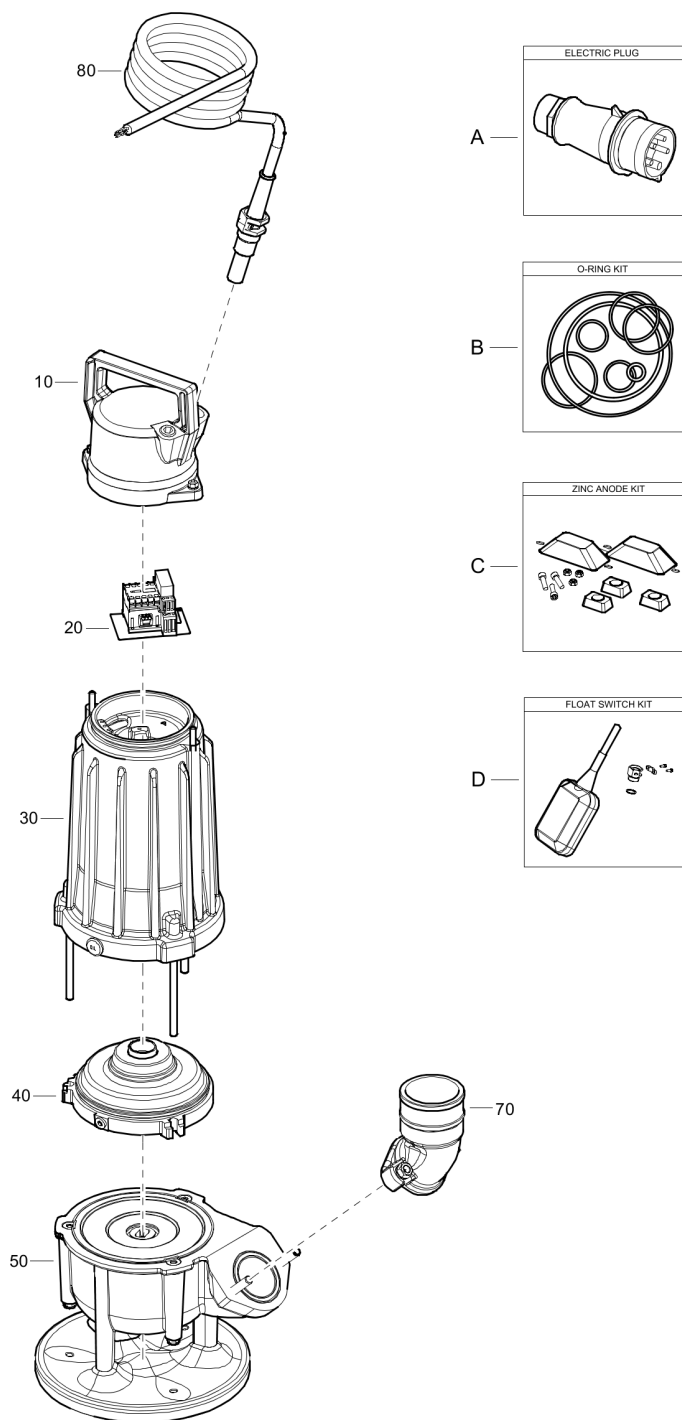
Kits and consumables WEDA D30/S30/D40 ESF	Item Number	Description	Change Interval / Quantity	
			6 Months/ 2000 hours	When Needed
Service and repair kits	1	Repair kit Seal unit WEDA D30/S30/D40		1
	2	O-ring kit WEDA D30-D40		1
	3	O-ring kit WEDA S30		1
	4	Zinc anodes unit WEDA D30-D40		1
	5	Zinc anodes unit WEDA S30		1
Seal unit kits	6	Oil can 1 Lite/0.26 Gallon	0.25 Liter/0.07 Gallon	
Wear part kit	7	Wear parts kit W30L 50Hz		1
	8	Wear parts kit W30N 50Hz		1
	9	Wear parts kit W30L 60Hz		1
	10	Wear parts kit W30N 60Hz		1
	11	Wear parts kit WEDA S30 50Hz 3-Ph		1
	12	Wear parts kit WEDA S30 50Hz 1-Ph / 60Hz 3-Ph		1
	13	Wear parts kit WS30 60Hz 1-Ph		1
	14	Wear parts kit W40N 50Hz		1
	15	Wear parts kit W40N 60Hz		1

Refer to Parts Online for the most up to date information. The printed information might be outdated.

Fri Jan 28 07:40:29 UTC 2022

Item	Part No.	Name	Qty	L
1	3081720075	REPAIR KIT SEAL UN. D30-40/S30	1	
2	3081690472	O-ring kit D30-D40	1	
3	3081690473	O-ring kit S30	1	
4	3081690474	Zinc anodes kit D30-D40	1	
5	3081690475	Zinc anodes kit S30	1	
6	1636302422	Can oil submersible pump 1,0 l / 0,26 us gal	1	
7	470W224912	Wear parts kit D30L 50Hz	1	
8	470W224914	Wear parts kit D30N 50Hz	1	
9	470W224913	Wear parts kit D30L 60Hz	1	
10	470W224915	Wear parts kit D30N 60Hz	1	
11	3081690414	Wear parts kit S30 50Hz 3-ph	1	
12	3081690415	Wear parts kit S30 50Hz 1-ph / 60Hz 3-ph	1	
13	3081690695	Wear parts kit S30 60Hz 1-ph	1	
14	470W743434	Wear parts kit D40N 50Hz	1	
15	470W743435	Wear parts kit D40N 60Hz	1	

Overview units WEDA S30



Refer to Parts Online for the most up to date information. The printed information might be outdated.

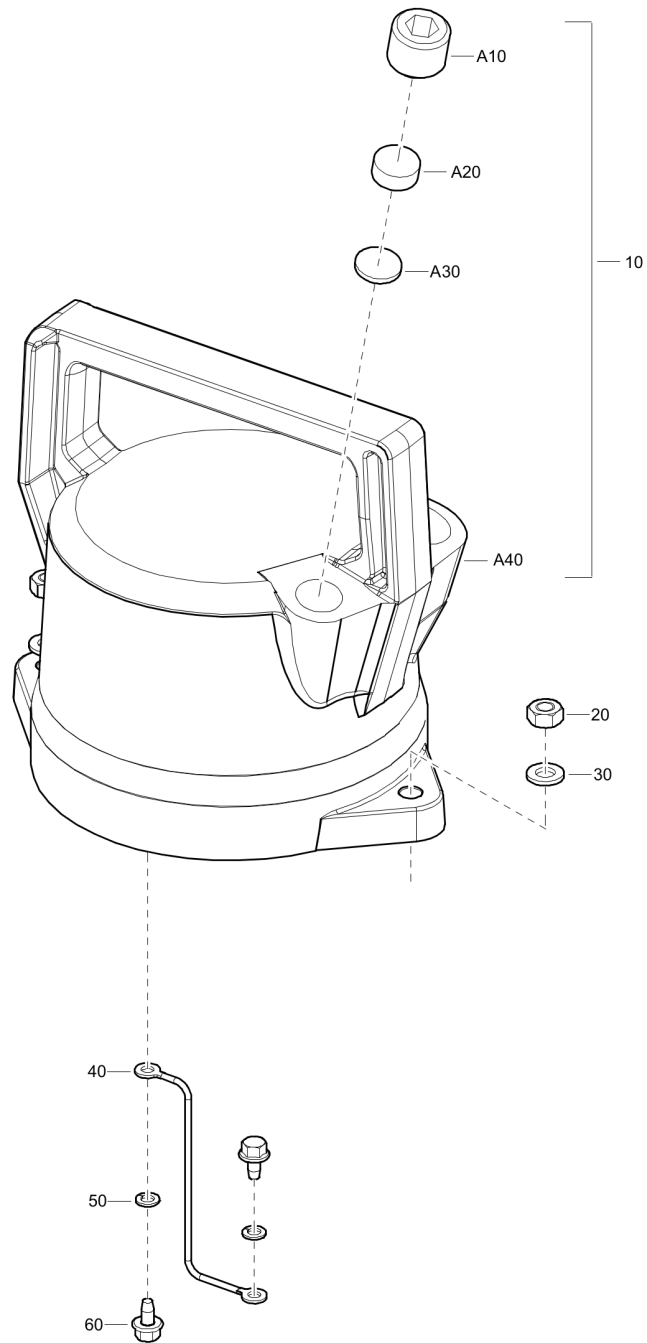
Fri Jan 28 07:40:30 UTC 2022

Item	Part No.	Name	Qty	L
10	-	Top housing unit	1	
20	-	Starter unit	1	
30	-	Motor unit	1	
40	-	Seal unit	1	
50	-	Wet end unit	1	
70	-	Discharge unit	1	
80	-	Cable unit	1	
A	-	Plug CEE	1	
B	-	O-ring kits	1	
C	-	Zinc anode kits	1	
D	-	Float switch kits	1	

Refer to Parts Online for the most up to date information. The printed information might be outdated.

Fri Jan 28 07:40:30 UTC 2022

Top housing unit WEDA D30/S30/D40



Refer to Parts Online for the most up to date information. The printed information might be outdated.

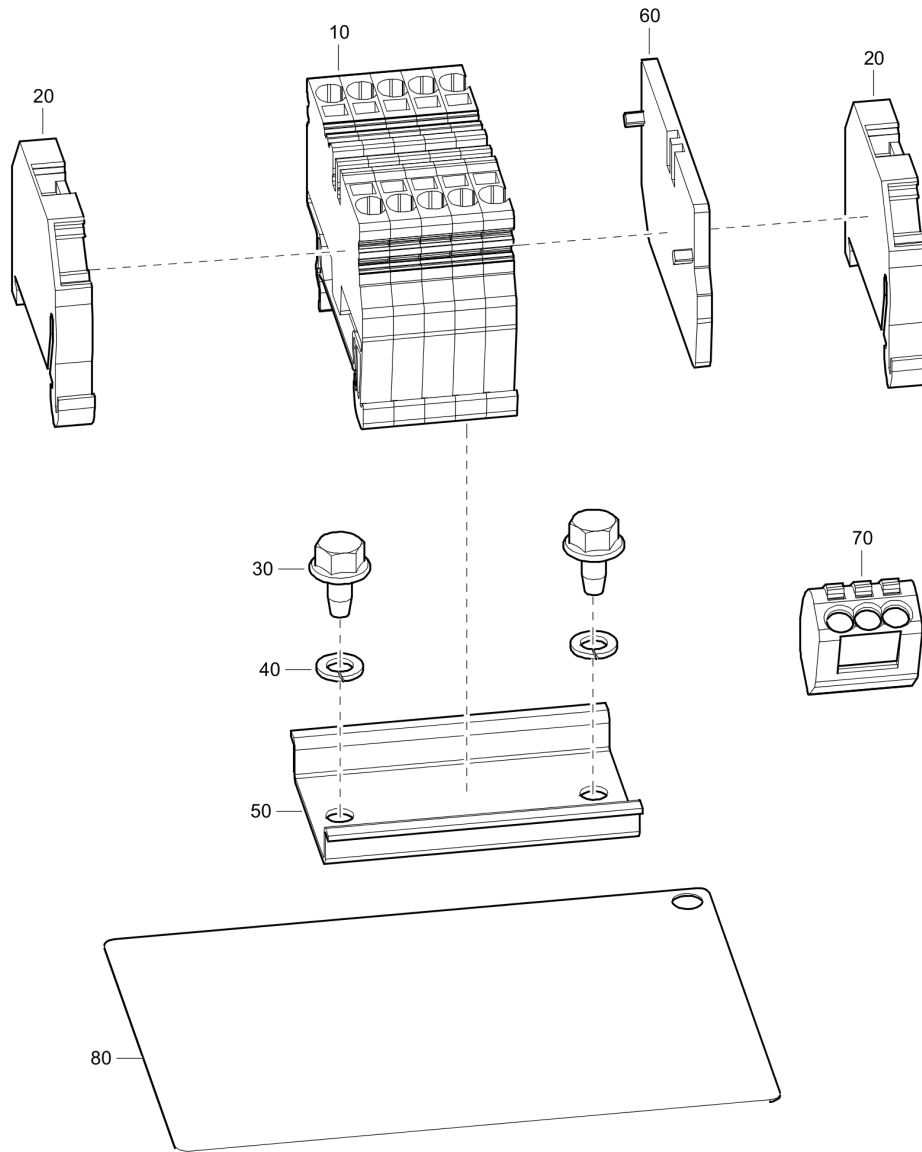
Fri Jan 28 07:40:30 UTC 2022

Item	Part No.	Name	Qty	L
10	3081690427	TOP HOUSING UNIT W10-40	1	
A10	470W214828	Pipe plug DIN906 3/8" L=10mm	1	
A20	470W214829	Gasket (rubber)	1	
A30	470W214833	Washer	1	
A40	3081601510	Top cover	1	
20	0261109152	Nut	2	
30	0333210837	Lock washer	2	
40	470W743496	Wire CPL	1	
50	4700W58956	Washer DIN127-A4-ISO:A2	2	
60	1636000871	Screw	2	

Refer to Parts Online for the most up to date information. The printed information might be outdated.

Fri Jan 28 07:40:30 UTC 2022

Starter unit terminal board

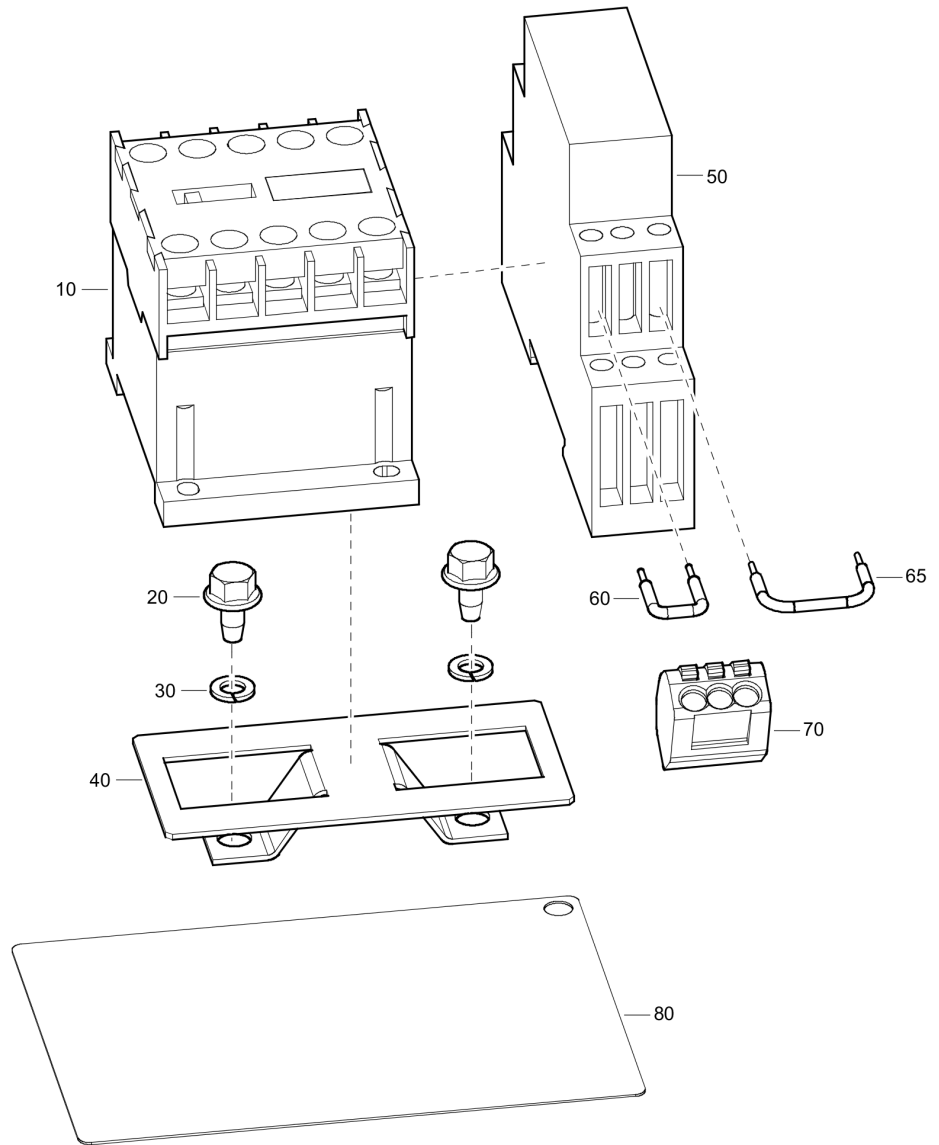


Refer to Parts Online for the most up to date information. The printed information might be outdated.

Fri Jan 28 07:40:30 UTC 2022

Item	Part No.	Name	Qty	L
10	1636000080	Terminal push in	5	
20	1089057782	End terminal	2	
30	470W209902	Screw DIN7500-DM4x8-ST-A2K	2	
40	4700W58956	Washer DIN127-A4-ISO:A2	2	
50	470W214871	Rail 35/7.5, 50mm	1	
60	1636000079	Terminal cap push in	1	
70	1088003138	Connector	1	
80	3081600598	Wiring diagram 6-lead terminal board	1	

Starter unit contactor control relay



Refer to Parts Online for the most up to date information. The printed information might be outdated.

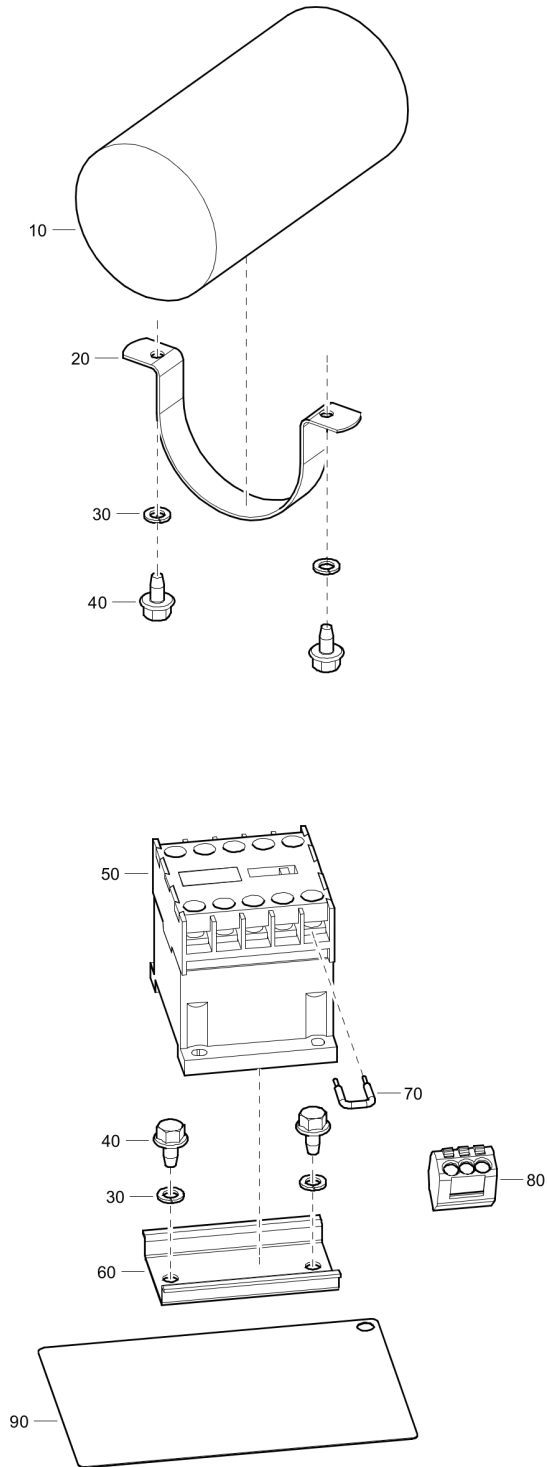
Fri Jan 28 07:40:31 UTC 2022

Item	Part No.	Name	Qty	L
10	-	Contactora 9A	-	
-	3081601103	Contactora 9A 210-220V 50Hz, 220-240V 60Hz	1	
-	3081600574	Contactora 9A 210-220V 50Hz, 220-240V 60Hz	1	
-	470W209882	Contactora 9A 220-230V 50Hz; 230-250V 60Hz	1	
-	470W209884	Contactora 9A 380-400V 50Hz, 400-440V 60Hz	1	
-	3081601104	Contactora 9A 210-220V 50Hz, 220-240V 60Hz	1	
20	470W209902	Screw DIN7500-DM4x8-ST-A2K	2	
30	4700W58956	Washer DIN127-A4-ISO:A2	2	
40	3081601548	Terminal bracket	1	
50	3081600644	Control relay	1	
60	470W214827	Wire 1x1,5mm ² , 0,055M HO7VK	4	
65	470W367171	Wire CPL	1	
70	1088003138	Connector	1	
80	3081600595	Wiring diagram 6-lead Y & D connection	1	

Refer to Parts Online for the most up to date information. The printed information might be outdated.

Fri Jan 28 07:40:31 UTC 2022

Starter unit capacitor

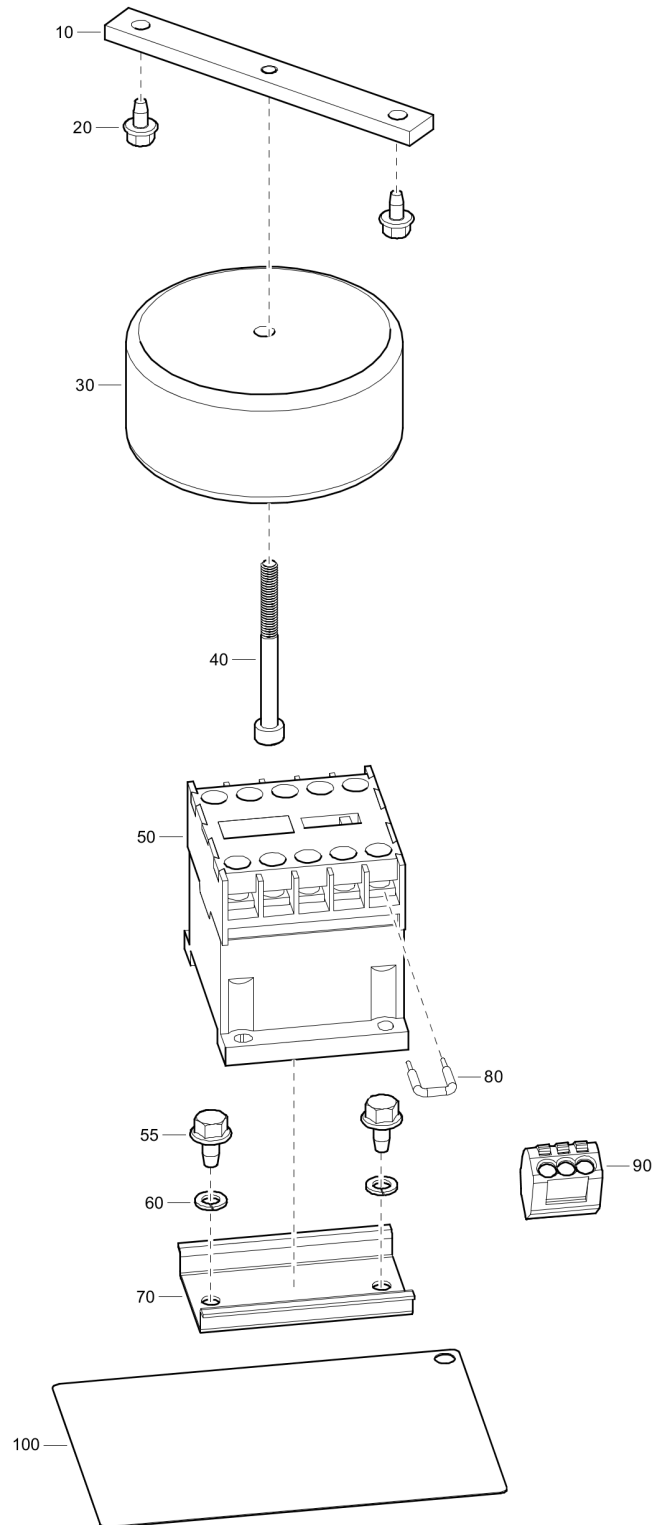


Refer to Parts Online for the most up to date information. The printed information might be outdated.

Fri Jan 28 07:40:31 UTC 2022

Item	Part No.	Name	Qty	L
10	470W743418	Capacitor	1	
20	470W214841	Capacitor holder	1	
30	4700W58956	Washer DIN127-A4-ISO:A2	4	
40	470W209902	Screw DIN7500-DM4x8-ST-A2K	4	
50	-	Contactora 9A	-	
-	470W209882	Contactora 9A 220-230V 50Hz; 230-250V 60Hz	1	
-	3081601103	Contactora 9A 210-220V 50Hz, 220-240V 60Hz	1	
60	470W214871	Rail 35/7.5, 50mm	1	
70	470W214827	Wire 1x1,5mm ² , 0,055M HO7VK	1	
80	1088003138	Connector	1	
90	3081601105	Wiring diagram 1~ 4-lead	1	

Starter unit contactor, toroid trafo



Refer to Parts Online for the most up to date information. The printed information might be outdated.

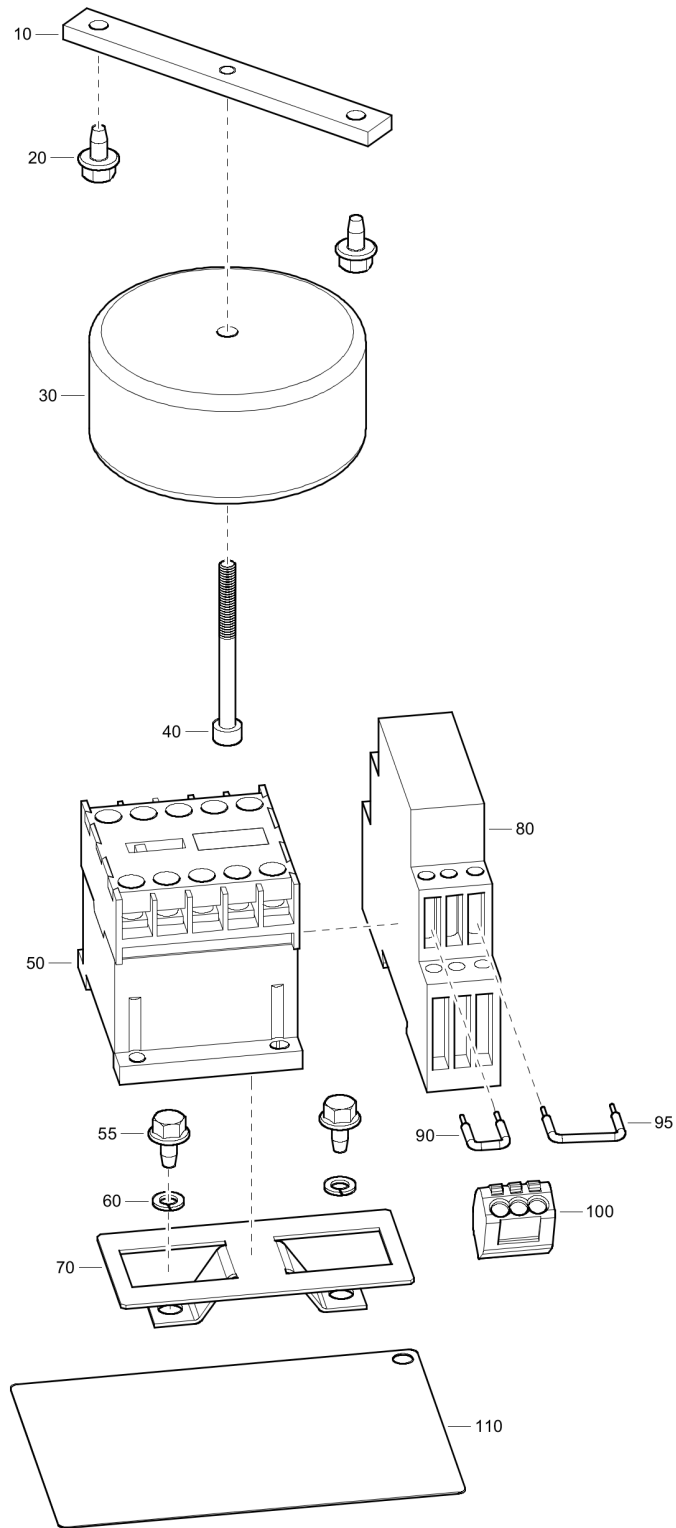
Fri Jan 28 07:40:32 UTC 2022

Item	Part No.	Name	Qty	L
10	1605277500	Bracket	1	
20	1636000871	Screw	2	
30	-	Toroid trafo	-	
-	3081600819	Toroid trafo 12VA/24V 415/525V (50/60Hz)	1	
-	1605277700	Toroid trafo 12VA/24V 460/575V (50/60Hz)	1	
40	3081600643	Screw DIN 912 M4x45 8.8 A2	1	
50	1605277900	Contactora 9A 22-24V 50Hz; 24-24V 60Hz	1	
55	470W209902	Screw DIN7500-DM4x8-ST-A2K	2	
60	4700W58956	Washer DIN127-A4-ISO:A2	2	
70	470W214871	Rail 35/7.5, 50mm	1	
80	470W214827	Wire 1x1,5mm ² , 0,055M HO7VK	1	
90	1088003138	Connector	1	
100	3081600595	Wiring diagram 6-lead Y & D connection	1	

Refer to Parts Online for the most up to date information. The printed information might be outdated.

Fri Jan 28 07:40:32 UTC 2022

Starter unit contactor toroid trafo control relay

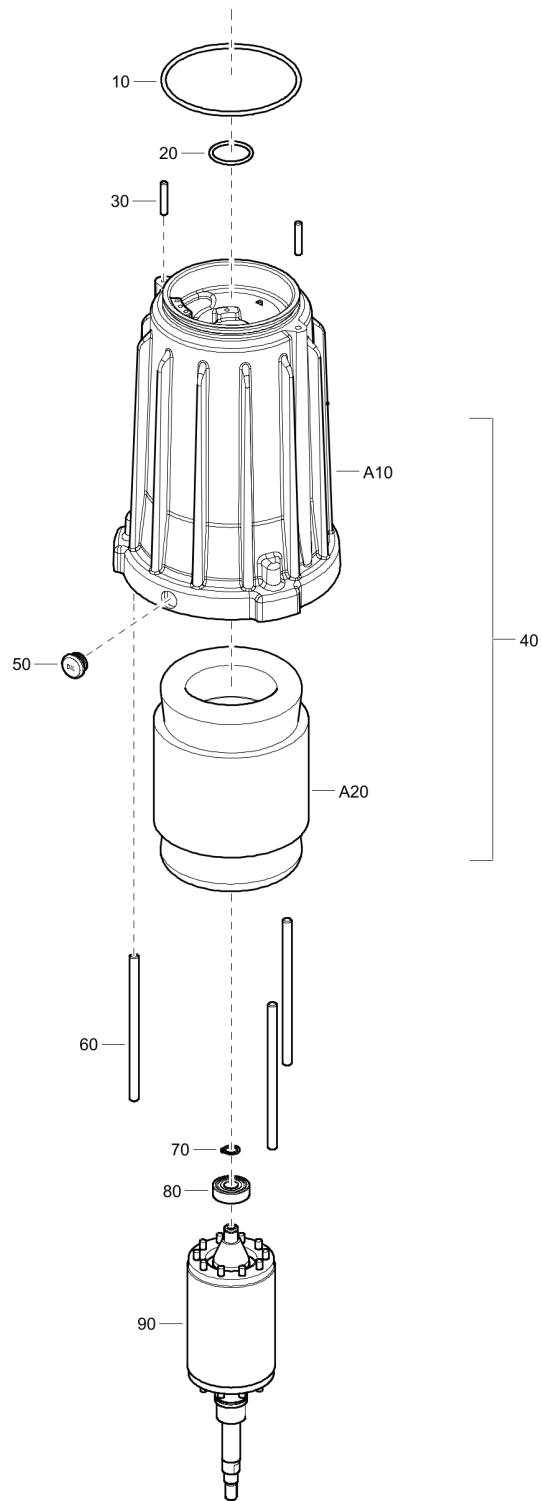


Refer to Parts Online for the most up to date information. The printed information might be outdated.

Fri Jan 28 07:40:32 UTC 2022

Item	Part No.	Name	Qty	L
10	1605277500	Bracket	1	
20	1636000871	Screw	2	
30	1605277700	Toroid trafo 12VA/24V 460/575V (50/60Hz)	1	
40	3081600643	Screw DIN 912 M4x45 8.8 A2	1	
50	1605277900	Contactora 9A 22-24V 50Hz; 24-24V 60Hz	1	
55	470W209902	Screw DIN7500-DM4x8-ST-A2K	2	
60	4700W58956	Washer DIN127-A4-ISO:A2	2	
70	3081601548	Terminal bracket	1	
80	3081600644	Control relay	1	
90	470W214827	Wire 1x1,5mm ² , 0,055M HO7VK	4	
95	470W367171	Wire CPL	1	
100	1088003138	Connector	1	
110	3081600595	Wiring diagram 6-lead Y & D connection	1	

Motor unit WEDA S30



Refer to Parts Online for the most up to date information. The printed information might be outdated.

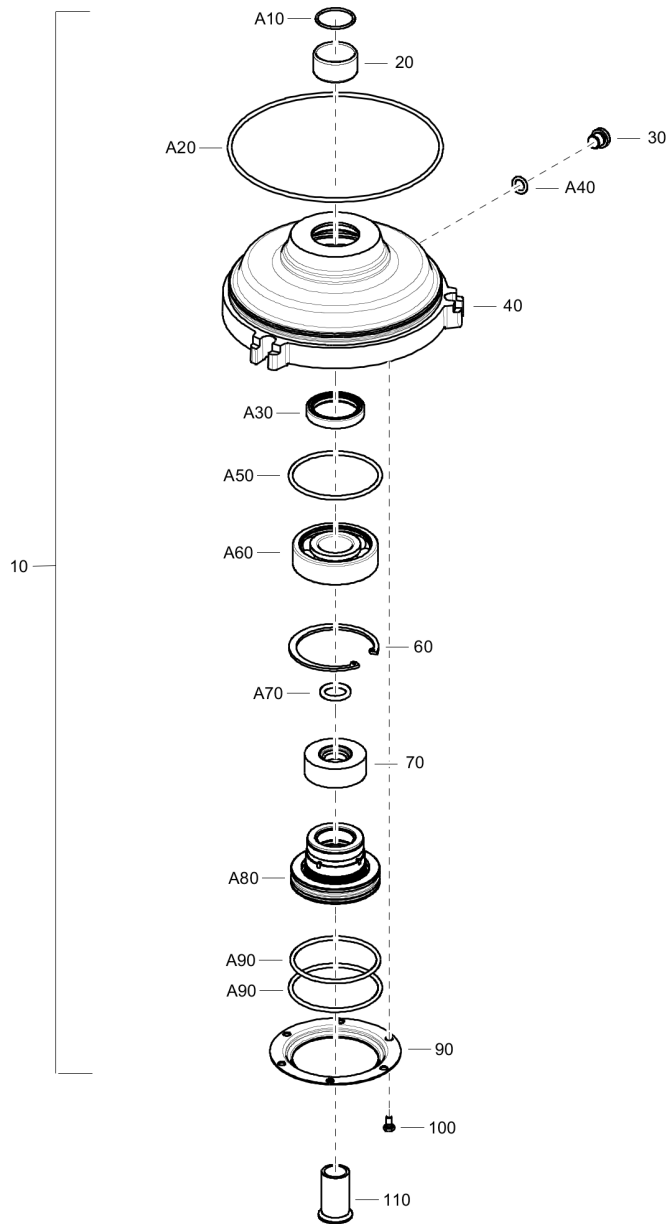
Fri Jan 28 07:40:33 UTC 2022

Item	Part No.	Name	Qty	L
10	3081600988	O-ring 110X4-NBR 70 shore	1	
20	4700W65021	O-ring 32,2X3-NBR 70 shore	1	
30	3081600991	Stud DIN835 M6X20-ISO:A2-70	2	
40	-	Stator unit kit S30	-	
-	3081690911	Stator unit kit S30 415-440VD 50Hz	1	
-	3081690423	Stator unit kit S30 230VD,400VY 50Hz ; 460VY 60Hz	1	
-	3081690424	Stator unit kit S30 400VD,690VY 50Hz ; 460VD 60Hz	1	
-	3081690421	Stator unit kit S30 220-240V 1~ 50Hz	1	
-	3081690422	Stator unit kit S30 220-240V 1~ 60Hz	1	
-	3081690425	Stator unit kit S30 500VY 50Hz ; 575VY 60Hz	1	
-	3081690426	Stator unit kit S30 230VD,380VY 60Hz	1	
A10	3081600636	Stator housing	1	
A20	-	Stator S30	-	
-	3081601500	Stator D40/S30 400VD,690VY 50Hz ; 460VD 60Hz	1	
-	3081600543	Stator D40/S30 220-240VD; 380-400VY 60Hz	1	
-	470W724061	Stator D40 290VD, 500VY 50Hz; 575VY 60Hz	1	
-	4812050567	Stator D40/S30 230VD,400VY 50Hz; 490VY 60Hz	1	
-	4812050514	Stator D30/S30 230V ~ 1 50Hz	1	
-	1605227200	Stator D30/S30 220-240V 1~ 60Hz	1	
-	3081601738	Stator D40 415-440VD 50Hz	1	
-	3081601739	Stator D40 460VYSer,230VY// 60Hz	1	
50	3081600629	Plug	1	
60	3081600642	Stud	3	
70	0335111400	Circlip DIN 471 A12X1	1	
80	3081601486	Ball bearing D10-D30-D40	1	
90	4812050509	Rotor D40/S30 3ph	1	

Refer to Parts Online for the most up to date information. The printed information might be outdated.

Fri Jan 28 07:40:33 UTC 2022

SEAL UNIT W30/S30/40

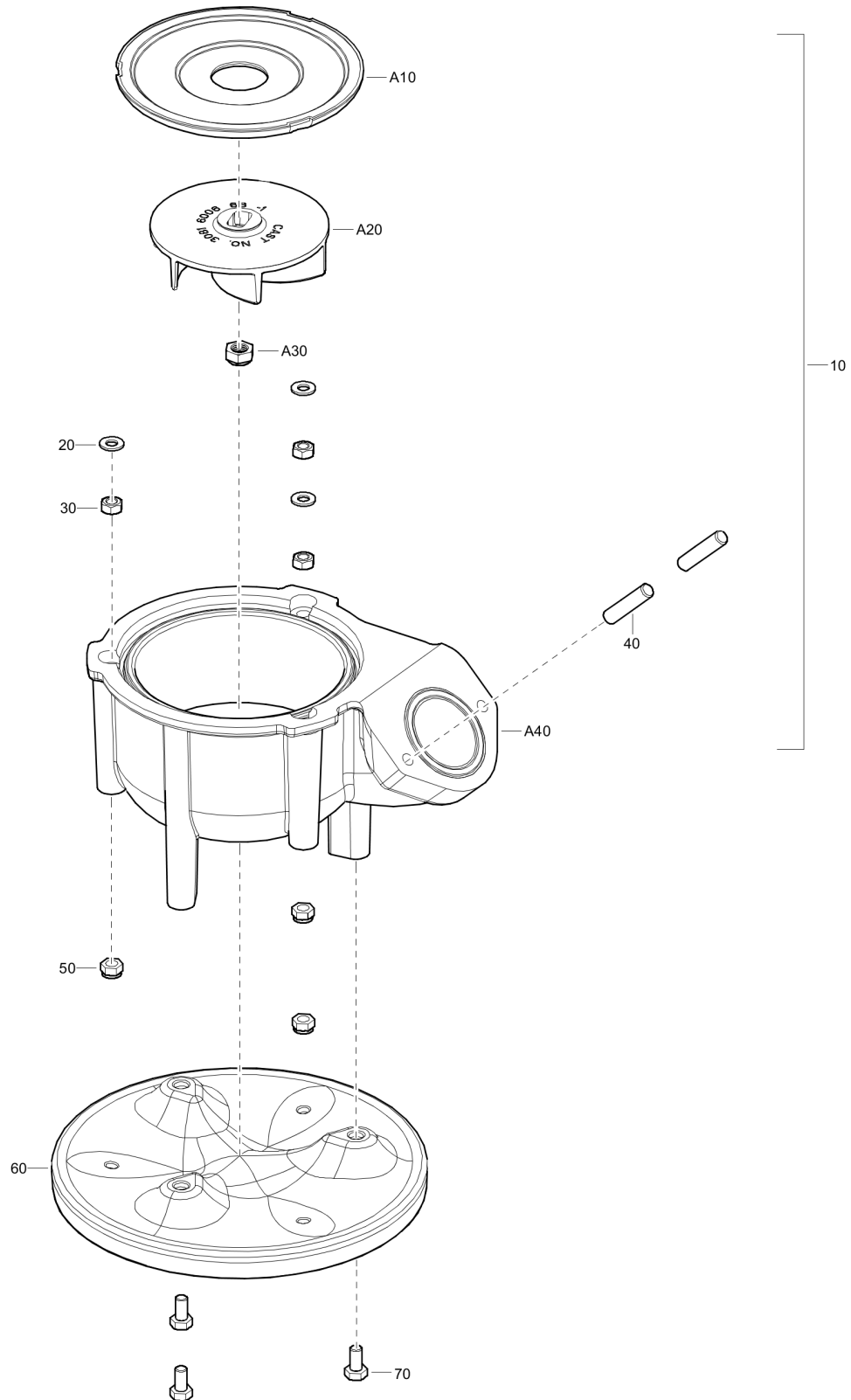


Refer to Parts Online for the most up to date information. The printed information might be outdated.

Fri Jan 28 07:40:33 UTC 2022

Item	Part No.	Name	Qty	L
10	3081720075	REPAIR KIT SEAL UN. D30-40/S30	1	
A10	4700160314	O-ring 25,12X1,78-NBR 70 shore	1	
A20	3081602062	O-ring 144,5X3-Viton	1	
A30	4812050513	Radial seal	1	
A40	3081602063	O-ring 8,3X2,4-Viton	1	
A50	0663211128	O-ring 61X3-NBR 70 shore	1	
A60	4700W61021	Ball bearing 30-40	1	
A70	470W740293	O-ring 15,47X3,53-NBR 70 shore	1	
A80	3081691464	Lower seal kit D30-40/S30	1	
A90	4700W65101	O-ring 54,5X3-NBR 70 shore	2	
20	4812050228	Wear sleeve	1	
30	470W254042	Screw plug DIN908 M10X1 A2	1	
40	4812050508	Bearing bracket lower 30-40	1	
60	4700W50659	Circlip DIN472-62X2	1	
70	470W740280	Seal holder 30-40	1	
90	470W224910	Flange plate	1	
100	4700W76242	Screw ISO4017- M4X8-A2:70	6	
110	4812050511	Distance sleeve	1	

Wet end unit WEDA S30



Refer to Parts Online for the most up to date information. The printed information might be outdated.

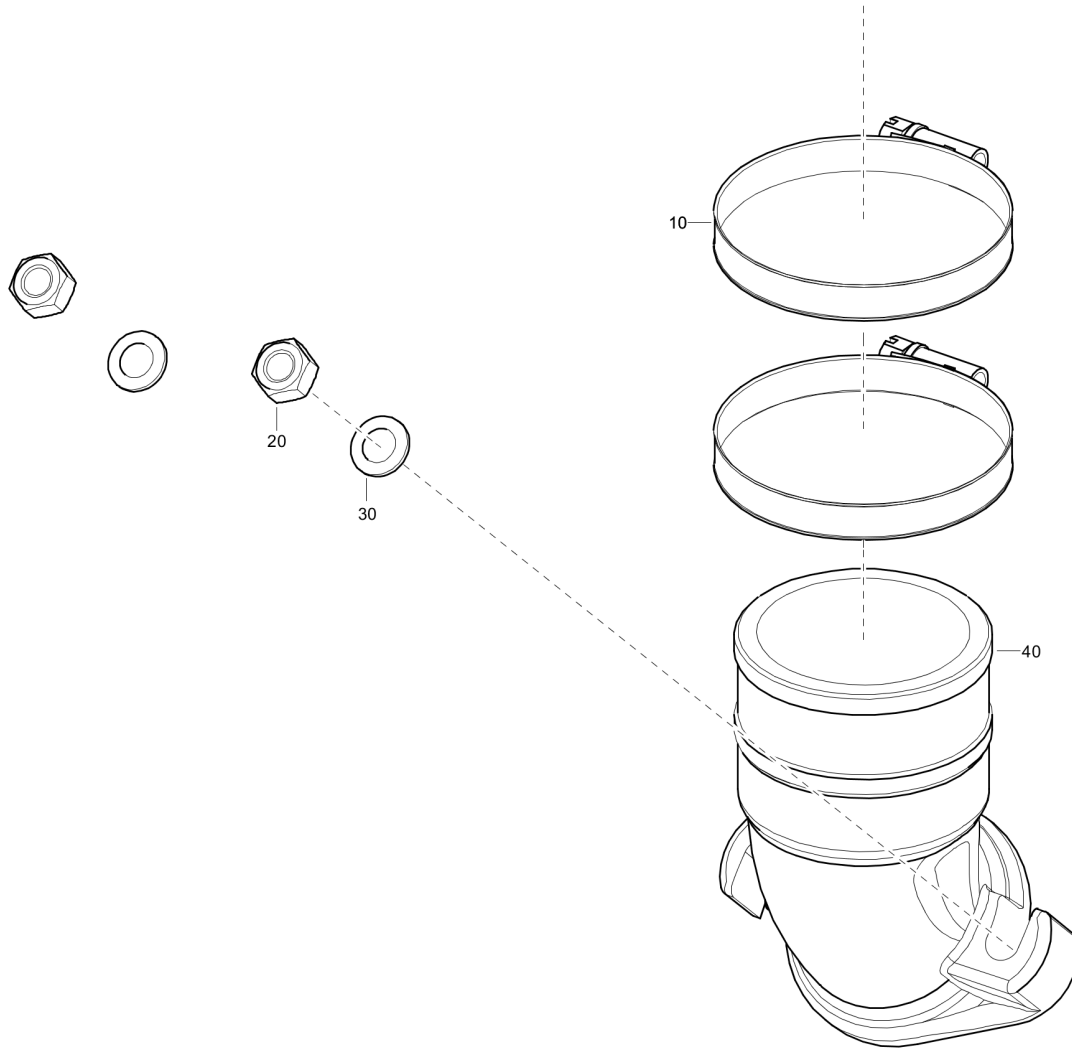
Fri Jan 28 07:40:33 UTC 2022

Item	Part No.	Name	Qty	L
10	-	Wear parts kit S30	-	
-	3081690414	Wear parts kit S30 50Hz 3-ph	1	
-	3081690415	Wear parts kit S30 50Hz 1-ph / 60Hz 3-ph	1	
-	3081690695	Wear parts kit S30 60Hz 1-ph	1	
A10	470W223522	Wear plate D30/S30/D40	1	
A20	-	Impeller S30N	-	
-	3081600669	Impeller S30N 50Hz	1	
-	3081600670	Impeller S30N 50Hz 1-ph / 60Hz 3-ph	1	
-	3081600671	Impeller S30N 60Hz 1-ph	1	
A30	1633010763	Lock nut DIN 985	1	
A40	3081600634	Volute	1	
20	0300027449	Washer	3	
30	1633010652	Nut	3	
40	4700W69642	Stud DIN938-M10x35-ISO:A2-70	2	
50	0291112861	Lock nut DIN 985	3	
60	3081600736	Bottom plate	1	
70	0147132302	Screw	3	

Refer to Parts Online for the most up to date information. The printed information might be outdated.

Fri Jan 28 07:40:33 UTC 2022

Discharge unit 3-3" HOSE WEDA S30

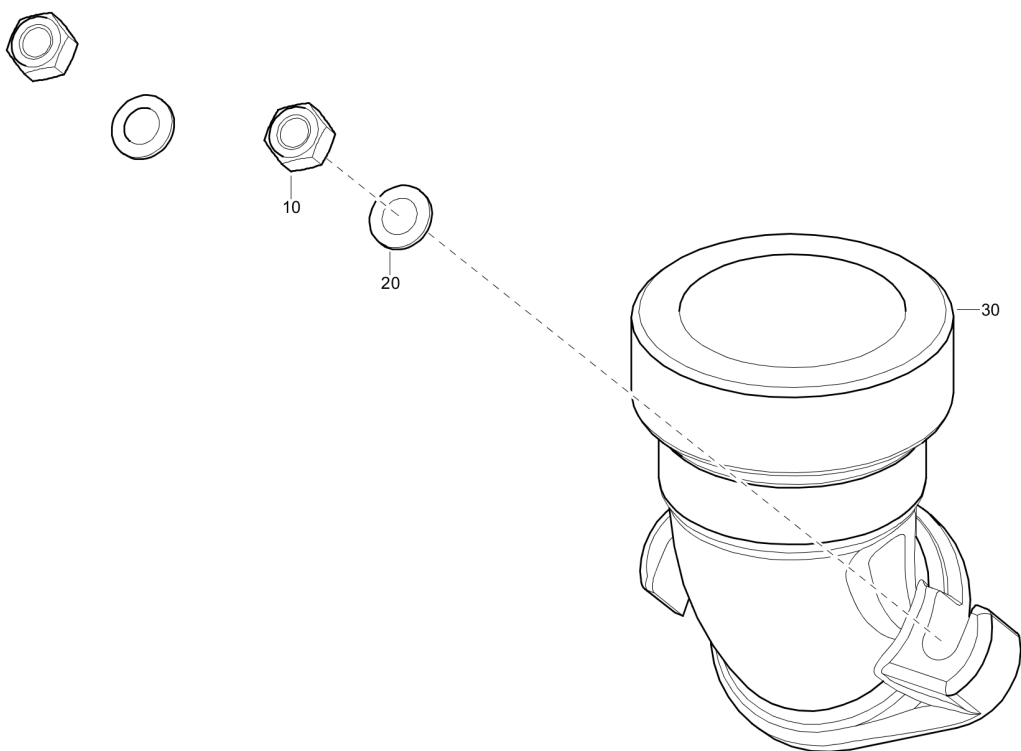


Item	Part No.	Name	Qty	L
10	0347611400	Hose clip	2	
20	0261109132	Nut ISO 4032 M10 A2	2	
30	4700W51170	Washer DIN433-10,5-140HV-A2	2	
40	3081600727	Discharge 3" hose S30	1	

Refer to Parts Online for the most up to date information. The printed information might be outdated.

Fri Jan 28 07:40:34 UTC 2022

Discharge unit 3-3" BSP/NPT WEDA S30

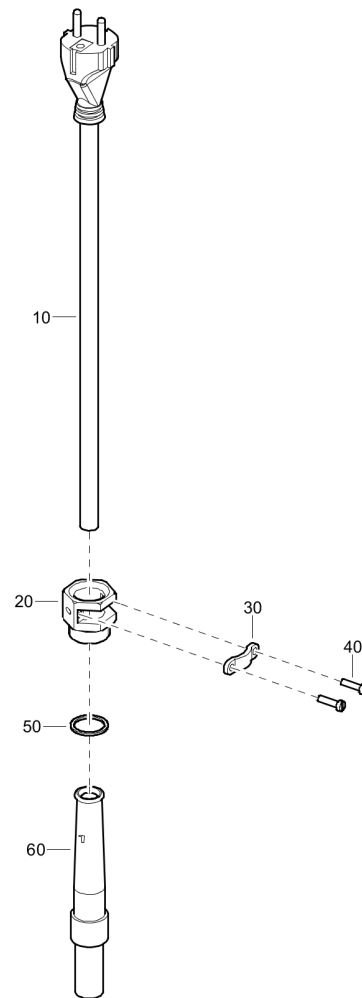


Item	Part No.	Name	Qty	L
10	0261109132	Nut ISO 4032 M10 A2	2	
20	4700W51170	Washer DIN433-10,5-140HV-A2	2	
30	-	Discharge	-	
-	3081600728	Discharge ISO-G3" S30	1	
-	3081600729	Discharge 3" NPT S30	1	

Refer to Parts Online for the most up to date information. The printed information might be outdated.

Fri Jan 28 07:40:34 UTC 2022

Cable unit with plug



Refer to Parts Online for the most up to date information. The printed information might be outdated.

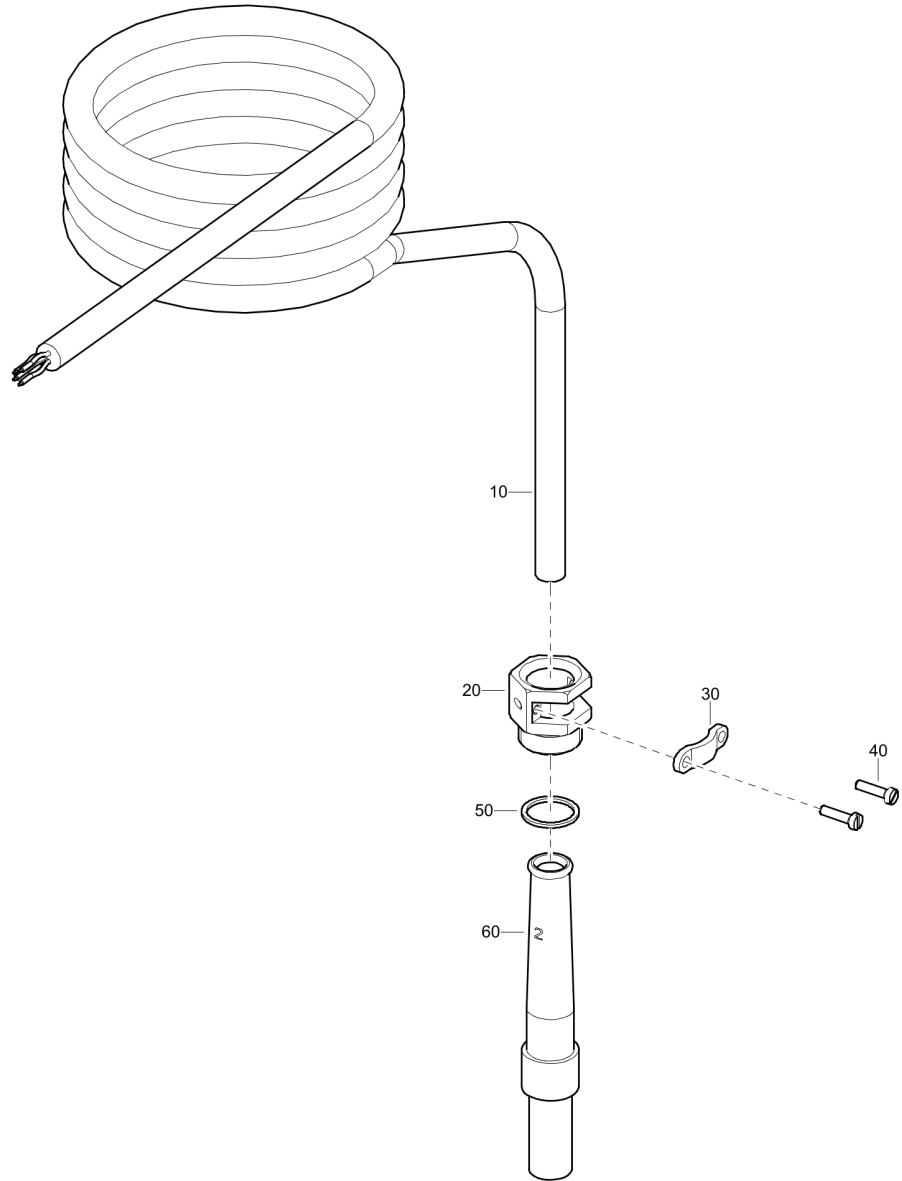
Fri Jan 28 07:40:34 UTC 2022

Item	Part No.	Name	Qty	L
10	3081601746	Cable 3G2,5mm ² 20m + Plug Ø10,9-12,4 mm	1	
20	470W214614	Cable inlet	1	
30	470W214638	Cable keep	1	
40	1633010741	Screw DIN 84 M4x15 A2 ISO 1207	2	
50	470W214493	Washer 20X24	1	
60	470W214839	Cable Sleeve Ø10,5-11,5 mm	1	

Refer to Parts Online for the most up to date information. The printed information might be outdated.

Fri Jan 28 07:40:34 UTC 2022

Cable unit

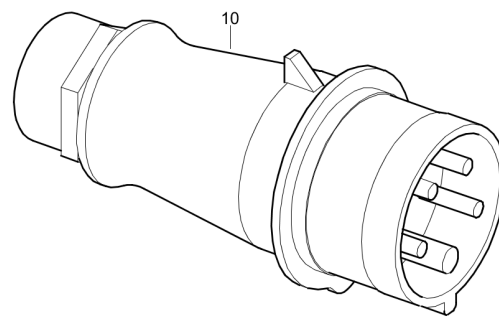


Refer to Parts Online for the most up to date information. The printed information might be outdated.

Fri Jan 28 07:40:35 UTC 2022

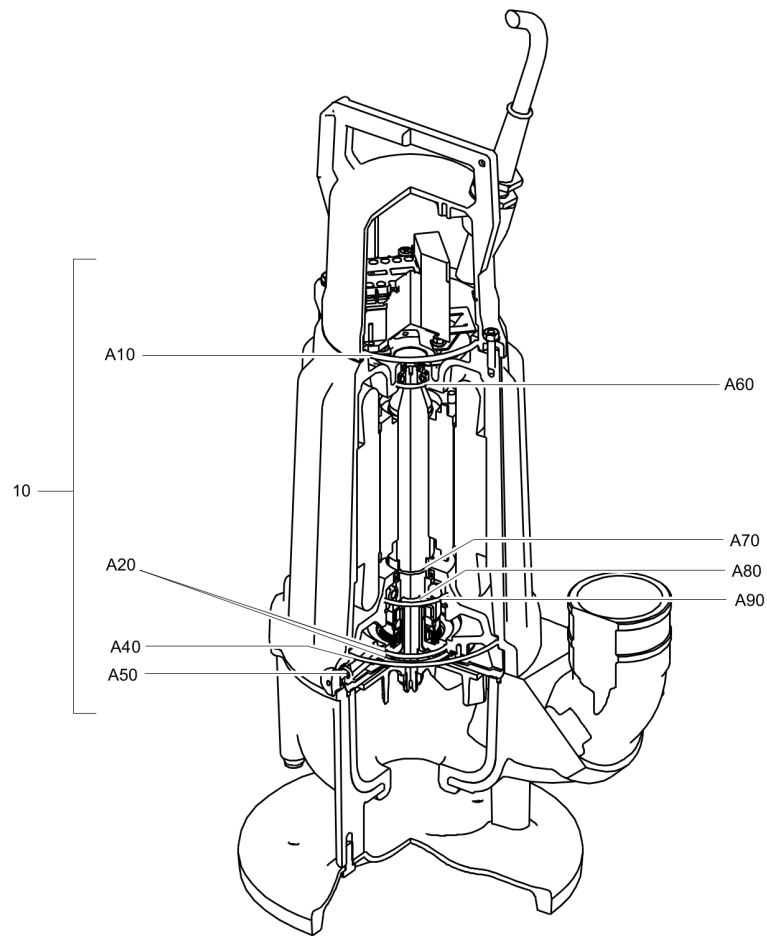
Item	Part No.	Name	Qty	L
10	-	Cable	-	
-	1605218300	Cable 3G 2.5mm ² 15m Ø9,2-10,4 mm	1	
-	1605218500	Cable 4G 1,5mm ² 15m, Ø10,2-11,8 mm	1	
-	3081601748	Cable 4G 1,5mm ² 20m, Ø10,2-11,8 mm	1	
-	3081601527	Cable 3AWG14, 50ft, Ø0,528"	1	
-	3081601744	Cable 4AWG16, 65ft, Ø0,425"	1	
-	3081601382	Cable 4AWG16, 50ft, Ø0,425"	1	
-	3081601381	Cable 4AWG14, 65ft, Ø0,56-0,62"	1	
-	3081601918	Cable 3X2,5+3X2,5/3E 20m NSSHÖU Ø13,5-16",5mm	1	
20	470W214614	Cable inlet	1	
30	470W214638	Cable keep	1	
40	1633010741	Screw DIN 84 M4x15 A2 ISO 1207	2	
50	470W214493	Washer 20X24	1	
60	-	Cable sleeve	-	
-	470W214838	Cable Sleeve Ø9-10,5 mm	1	
-	470W214839	Cable Sleeve Ø10,5-11,5 mm	1	
-	470W214394	Cable Sleeve Ø11,5-13mm	1	
-	3081601965	Cable Sleeve Ø13-14,5mm	1	

Plug CEE kit 16A 400V



Item	Part No.	Name	Qty	L
10	1089049558	Plug CEE 16A, 6H, 3P+N+E, IP44	1	

O-Ring kit WEDA S30



Refer to Parts Online for the most up to date information. The printed information might be outdated.

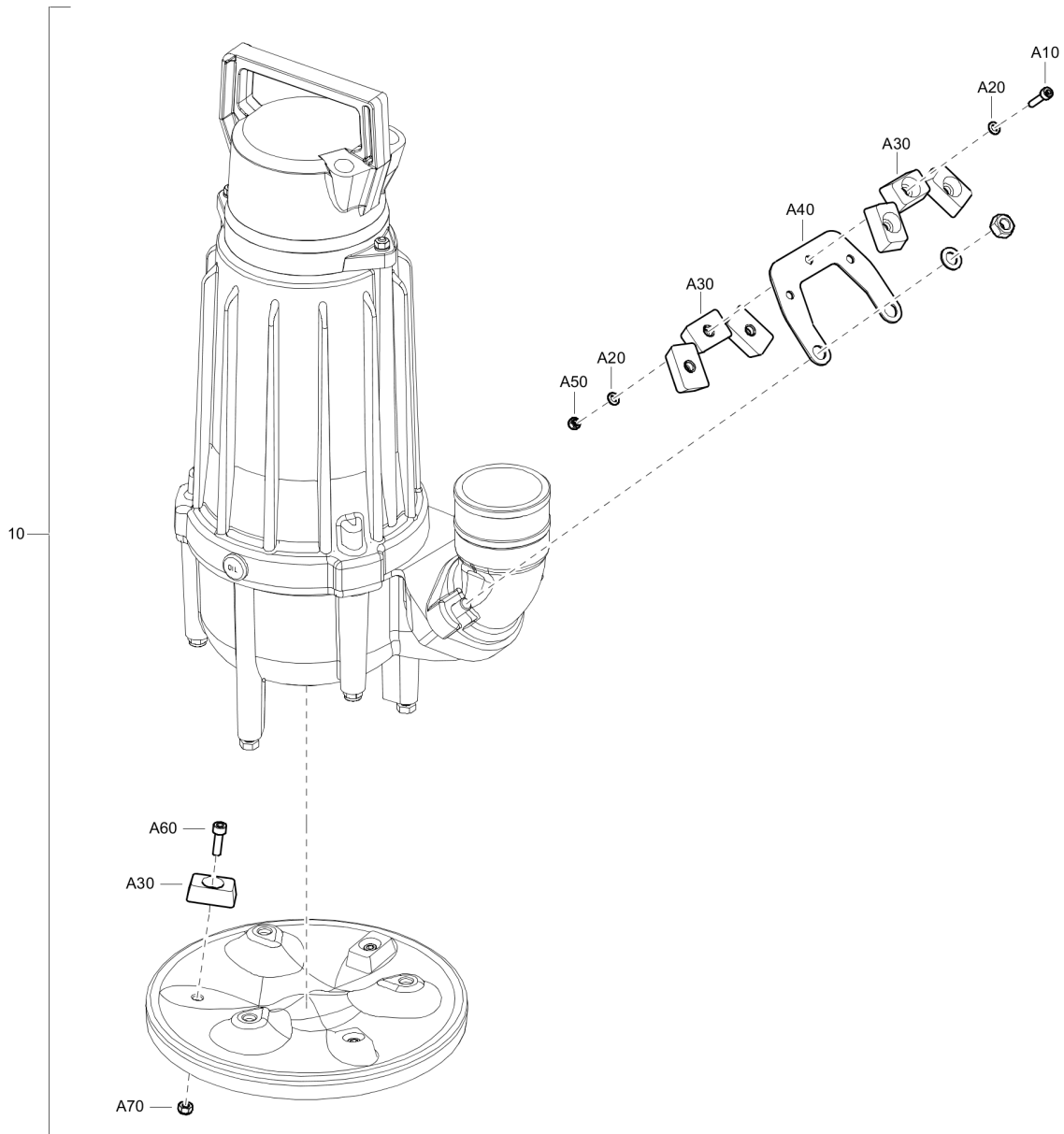
Fri Jan 28 07:40:35 UTC 2022

Item	Part No.	Name	Qty	L
10	3081690473	O-ring kit S30	1	
A10	3081600988	O-ring 110X4-NBR 70 shore	1	
A20	4700W65101	O-ring 54,5X3-NBR 70 shore	2	
A40	3081602062	O-ring 144,5X3-Viton	1	
A50	3081602063	O-ring 8,3X2,4-Viton	1	
A60	4700W65021	O-ring 32,2X3-NBR 70 shore	1	
A70	4700160314	O-ring 25,12X1,78-NBR 70 shore	1	
A80	470W740293	O-ring 15,47X3,53-NBR 70 shore	1	
A90	0663211128	O-ring 61X3-NBR 70 shore	1	

Refer to Parts Online for the most up to date information. The printed information might be outdated.

Fri Jan 28 07:40:35 UTC 2022

Zinc anode kit WEDA S30

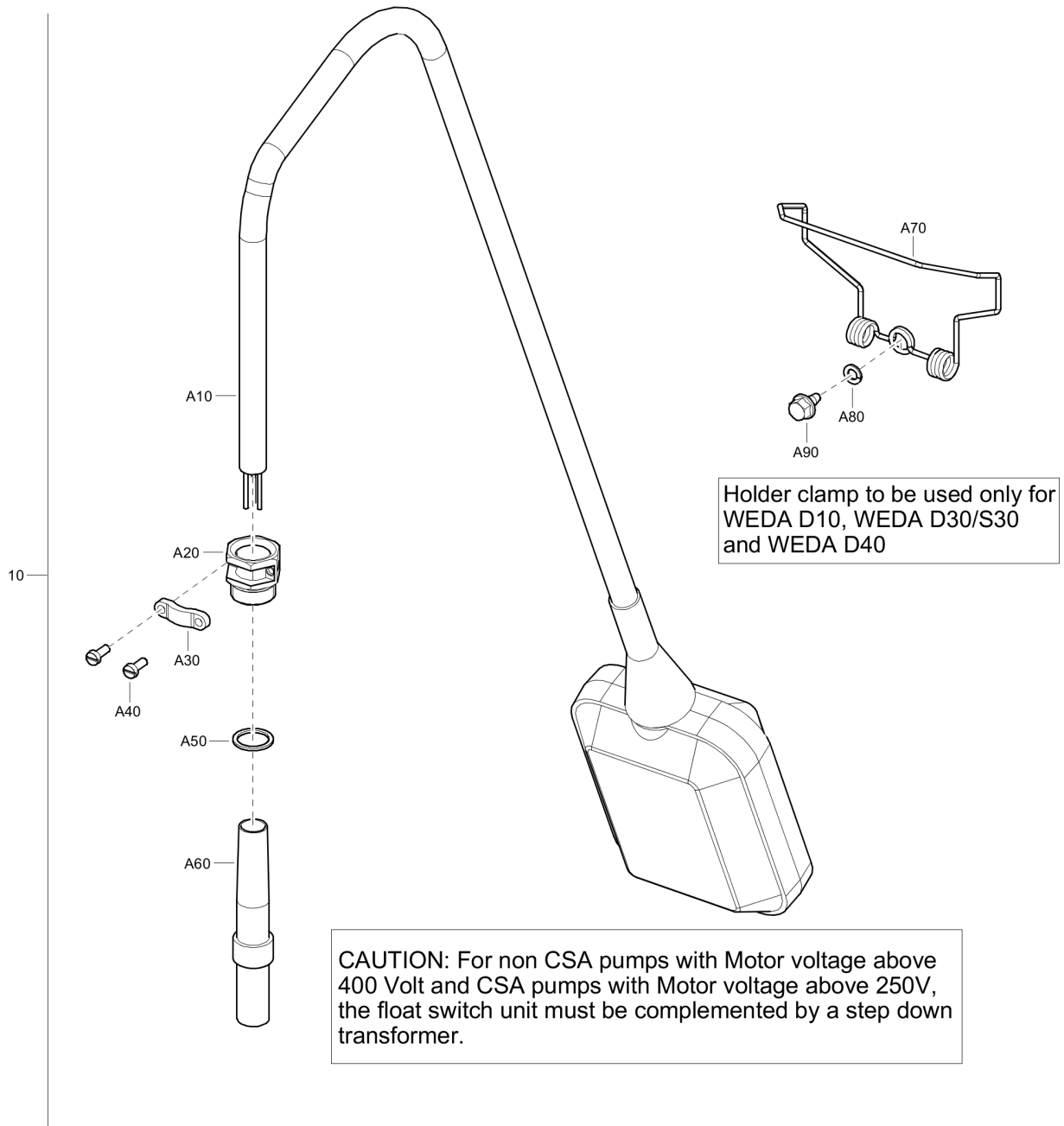


Refer to Parts Online for the most up to date information. The printed information might be outdated.

Fri Jan 28 07:40:36 UTC 2022

Item	Part No.	Name	Qty	L
10	3081690475	Zinc anodes kit S30	1	
A10	3081600539	Screw	3	
A20	0300012920	Washer	6	
A30	470W209275	Zinc anode	9	
A40	3081601101	Bracket for zinc anodes S30	1	
A50	1633010649	Lock nut DIN 985 M5 A2 ISO 10511	3	
A60	3081600540	Screw DIN912 M6x20 A2-70	3	
A70	1633010650	Lock nut DIN 985 M6 A2 ISO 10511	3	

Float switch unit



Item	Part No.	Name	Qty	L
10	-	Float switch unit	-	
-	3081690557	Float switch unit (CSA)	1	
-	3081690555	FLOAT SWITCH UNIT (CE)	1	
A10	-	Float switch	1	
-	3081602076	Float switch (CSA)	-	
-	1605261450	Float switch (CE)	-	
A20	470W214823	Cable inlet	1	
A30	470W214824	Cable keep	1	
A40	1633010809	Screw DIN 84 M3x8 A2 ISO 1207	2	
A50	470W214825	Washer	1	
A60	470W214826	Cable sleeve	1	
A70	470W213843	Float holder clamp	1	
A80	4700W58956	Washer DIN127-A4-ISO:A2	1	
A90	470W209902	Screw DIN7500-DM4x8-ST-A2K	1	

Refer to Parts Online for the most up to date information. The printed information might be outdated.

Fri Jan 28 07:40:36 UTC 2022